

# High Quality for Water Measurement

# RXF™ Magnetic Flowmeter

High quality magmeters  
for economical solutions



The magnetic flowmeters of the RXF series extends the magmeter family of Yokogawa. This magmeter provides you with the ability to bring cost effective solutions to your water and waste water applications. Multi range

functionality with auto execution for high accuracy, bidirectional measurement capability and electrode coating detection are just a few features of the RXF. It can handle multiple tasks within one instrument.

#### Available materials and functions:

Flange connections	EN: PN10....PN40
Lining	Hard rubber
Electrodes	Stainless steel AISI 316L / 1.4404 Hastelloy C276 equiv. / 2.4819
Output signals	4-20mA (isolated), pulse (isolated)
Dual range	Auto or external execution
Multi range	Auto execution
Accuracy	0.5% of reading
Power supply	80 - 264 V AC, 20.4 - 28.8 V AC/DC
Communication	HART, BRAIN, Foundation Fieldbus

FY01R21A01-00E-E

Pressure

Magnetic

Vortex

Coriolis

VA-Meter

Ultrasonic

Valve Positioner

Temperature

**vigilantplant.**  
The clear path to operational excellence

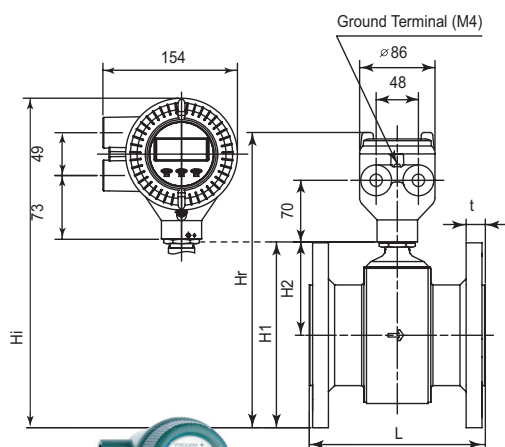
**YOKOGAWA** 

# RXF™ High Quality for Water Measurement

## Dimensions:

### Integral Flowmeter

### Remote Flowtube



For dimensions indicated by alphabetic letters see General Specification GS 01R21D01.



## Lay length L and span flow rates:

Model	Inner diameter	Lay length L	0 to Min. Span Flow Rate	0 to Max. Span Flow Rate	Pressure
	mm	mm	m <sup>3</sup> /h	m <sup>3</sup> /h	Class PN
RXF015	15	200 ISO	0 to 0,19	0 to 6,36	10, 16, 25, 40
RXF025	25	200 ISO	0 to 0,53	0 to 17,67	
RXF032	32	200 ISO	0 to 0,86	0 to 28,96	
RXF040	40	200 ISO	0 to 1,35	0 to 45,23	
RXF050	50	200 ISO	0 to 2,1	0 to 70	
RXF065	65	200 ISO	0 to 3,5	0 to 119	
RXF080	80	200 ISO	0 to 5,4	0 to 180	
RXF100	100	250 ISO	0 to 8,4	0 to 282	
RXF125	125	250 ISO	0 to 13	0 to 441	
RXF150	150	300 ISO	0 to 19	0 to 636	
RXF200	200	350 ISO	0 to 34	0 to 1130	
RXF250	250	450 ISO	0 to 53	0 to 1767	
RXF300	300	500 ISO	0 to 76	0 to 2544	
RXF350	350	550 ISO	0 to 104	0 to 3463	
RXF400	400	600 ISO	0 to 135	0 to 4523	10, 16
RXF450	450	690/650/600	0 to 171	0 to 5725	
RXF500	500	750/650/600	0 to 212	0 to 7068	
RXF600	600	800/780/600	0 to 305	0 to 10178	
RXF700	700	900/910/700	0 to 415	0 to 13854	
RXF800	800	1050/1040/800	0 to 540	0 to 18095	
RXF900	900	1200/1170/900	0 to 690	0 to 22902	
RXF10L	1000	1300/1000	0 to 850	0 to 28274	



Distribué par :



Contact :  
hvssystem@hvssystem.com

Tél : 0326824929  
Fax : 0326851908

Siège social :  
2 rue René Laennec  
51500 Taissy  
France

[www.hvssystem.com](http://www.hvssystem.com)

YOKOGAWA