



# MVS-8000 Series

## MVS-8500 and MVS-8500e Hardware Manual

October 2009

The software described in this document is furnished under license, and may be used or copied only in accordance with the terms of such license and with the inclusion of the copyright notice shown on this page. Neither the software, this document, nor any copies thereof may be provided to or otherwise made available to anyone other than the licensee. Title to and ownership of this software remains with Cognex Corporation or its licensor.

Cognex Corporation assumes no responsibility for the use or reliability of its software on equipment that is not supplied by Cognex Corporation. Cognex Corporation makes no warranties, either express or implied, regarding the described software, its merchantability or its fitness for any particular purpose.

The information in this document is subject to change without notice and should not be construed as a commitment by Cognex Corporation. Cognex Corporation is not responsible for any errors that may be present in either this document or the associated software.

Copyright © 2009 Cognex Corporation  
All Rights Reserved  
Printed in U.S.A.

This document may not be copied in whole or in part, nor transferred to any other media or language, without the written permission of Cognex Corporation.

Portions of the hardware and software provided by Cognex may be covered by one or more of the U.S. and foreign patents listed below as well as pending U.S. and foreign patents. Such pending U.S. and foreign patents issued after the date of this document are listed on Cognex web site at <http://www.cognex.com/patents>.

5495537, 5548326, 5583954, 5602937, 5640200, 5751853, 5768443, 5825913, 5850466, 5872870, 5901241, 5943441, 5978080, 5978521, 5987172, 6005978, 6039254, 6064388, 6075881, 6137893, 6141033, 6167150, 6215915, 6324299, 6381366, 6381375, 6411734, 6421458, 6459820, 6490375, 6516092, 6563324, 6658145, 6687402, 6690842, 6697535, 6718074, 6748110, 6771808, 6804416, 6836567, 6850646, 6856698, 6920241, 6959112, 6973207, 6975764, 6985625, 6993177, 6993192, 7006712, 7016539, 7043081, 7058225, 7065262, 7088862, 7164796, 7190834, 7242801, 7251366, EP0713593, JP3522280, JP3927239

The following are registered trademarks of Cognex Corporation:

acuCoder	acuFinder	acuReader	acuWin	BGAll	Checkpoint
Cognex	Cognex, Vision for Industry		CVC-1000	CVL	DisplayInspect
ID Expert	PastelInspect	PatFind	PatInspect	PatMax	PatQuick
PixelProbe	SMD4	Virtual Checksum	VisionLinx	VisionPro	VisionX

Other Cognex products, tools, or other trade names may be considered common law trademarks of Cognex Corporation. These trademarks may be marked with a "™". Other product and company names mentioned herein may be the trademarks of their respective owners.

# Contents

<b>Preface</b> .....	7
Style Conventions Used in This Manual .....	8
Text Style Conventions .....	8
Microsoft Windows Support .....	8
Cognex Offices .....	9
<b>Chapter 1: MVS-8500 and MVS-8500e Installation</b> .....	11
Host PC Requirements .....	12
Installing the MVS-8500 and MVS-8500e .....	13
MVS-8500: Selecting a PCI Slot .....	13
Identifying a 66 MHz PCI Slot for MVS-8504 .....	13
PCI-X Slots .....	14
MVS-8500e: Selecting a PCI Express Slot .....	15
Installation Steps .....	15
Configuring Cameras .....	19
Configuring JAI CV-A1 Cameras .....	19
Configuring JAI CV-A2 Cameras .....	20
Configuring Sony DXC-390 Color Cameras .....	22
Cabling for Sony DXC-390 Color Cameras .....	24
Configuring Sony XC-55 Cameras .....	24
Configuring Sony XC-ES Cameras .....	25
Configuring Sony XC-HR Cameras .....	27
Configuring Sony XC-ST Cameras .....	28
Configuring Teli CS8541D Cameras .....	29
Configuring Toshiba IK-53V Cameras .....	30
Connecting Cameras .....	32
Connecting Parallel I/O Devices .....	33
Connecting TTL I/O Devices .....	34
Connecting I/O Devices with All Opto-Isolation .....	35
Connecting I/O Devices with Partial Opto-Isolation .....	36
<b>Chapter 2: MVS-8500 and MVS-8500e Hardware</b> .....	39
MVS-8500 and MVS-8500e Components .....	40
PCI Bus Interface .....	40
PCI Express Bus Interface .....	40
Video Acquisition Interface .....	40
Model Differences .....	41
MVS-8500 Board Version Differences .....	42
Parallel I/O .....	43
Image Acquisition and Video Output .....	44

Mechanical Specifications .....	45
MVS-8500 Layout .....	45
MVS-8500e Layout .....	46
Connector Summary .....	47
Environmental Requirements .....	48
Shipping .....	48
Standards Compliance .....	49
International .....	49
European Community .....	49
Electrical Specifications .....	50
Power Requirements .....	50
MVS-8500 0200 Version Power Requirements .....	50
MVS-8500 0236 Version Power Requirements .....	51
MVS-8500e Version Power Requirements .....	51
Fuses .....	52
Camera Connector .....	52
Analog Video Input Circuit .....	53
Options for Connecting Cameras .....	55
Monochrome Breakout Cables, Cameras Only .....	55
Monochrome Breakout Cable with Power Input .....	56
Choosing a Monochrome Breakout Cable .....	58
Color+Monochrome Breakout Cable .....	58
Software Line Numbers .....	59
Hirose Connector Pinout .....	59
Camera Cables for Supported Cameras .....	60
Triggers, Strobes, and Parallel I/O Connector .....	60
Connecting Devices .....	62
Pinout of Parallel I/O Connector .....	63
Line Numbering .....	64
Parallel I/O Circuit Logic .....	65
Notes on Parallel I/O Circuitry .....	65
When Configuring As Outputs .....	66
When Configuring As Inputs .....	66
TTL I/O Connection Module .....	67
Cable from MVS-8500 or MVS-8500e to TTL I/O Module .....	67
Layout of TTL I/O Connection Module .....	69
Specifications of TTL I/O Connection Module .....	69
TTL I/O Connection Module Terminals .....	70
Opto-Isolated I/O Connection Module .....	72
Full Opto Cable from MVS-8500 and MVS-8500e to Opto I/O Module .....	72
Half Opto Cable from MVS-8500 and MVS-8500e to Opto I/O Module .....	74



---

Layout of Opto-Isolated I/O Connection Module .....	77
Specifications of Opto-Isolated I/O Module .....	78
Opto-Isolated I/O Module LED Numbering .....	79
Opto-Isolated I/O Module Adds Conversion Delay .....	79
Opto-Isolated I/O Module Wiring Methods .....	80
Opto-Isolated I/O Module Circuit Logic .....	81
Opto-Isolated I/O Module Input Terminals .....	82
Input Block Pinout with Full Opto Cable .....	83
Input Block Pinout with Half Opto Cable .....	84
Opto-Isolated I/O Module Output Terminals .....	85
Output Block Pinout with Full Opto Cable .....	85
Output Block Pinout with Half Opto Cable .....	86
Hirose HR10 Connector Description .....	87
Pin Numbering of HR10 Jacks and Plugs .....	88
<b>Index</b> .....	91



# Preface

---

This manual describes the Cognex MVS-8500 and MVS-8500e frame grabbers in the following chapters:

Chapter 1, *MVS-8500 and MVS-8500e Installation*, describes how you configure and install an MVS-8500 and MVS-8500e frame grabbers.

Chapter 2, *MVS-8500 and MVS-8500e Hardware*, describes the MVS-8500 and MVS-8500e hardware, including environmental and power requirements, and its mechanical and electrical specifications.

## Note on Backward Compatibility

The MVS-8500e is an updated version of the MVS-8500 that connects to the PCI Express bus instead of the PCI bus. While the MVS-8500e frame grabbers are similar to the MVS-8500 frame grabbers, they are not backward-compatible. Users migrating from the MVS-8500 to the MVS-8500e will require new I/O drivers, and may require changes to their user-written software. The following are things you may have to change:

- You may need to change your application source code and recompile your application.
- Images from an MVS-8500e may appear somewhat different than those from an MVS-8500. You may need to adjust gain, offset, and so on.
- If you are migrating to an MVS-8500Le, be aware it supports only 2 cameras, not 4, and that it supports only 8 parallel I/O lines, not 16.

# Style Conventions Used in This Manual

This manual uses the style conventions described in this section for text and software diagrams.

## Text Style Conventions

This manual uses the following style conventions for text:

<b>boldface</b>	Used for C/C++ keywords, function names, class names, structures, enumerations, types, and macros. Also used for user interface elements such as button names, dialog box names, and menu choices.
<i>italic</i>	Used for names of variables, data members, arguments, enumerations, constants, program names, file names. Used for names of books, chapters, and sections. Occasionally used for emphasis.
<code>courier</code>	Used for C/C++ code examples and for examples of program output.
<b>bold courier</b>	Used in illustrations of command sessions to show the commands that you would type.
< <i>italic</i> >	When enclosed in angle brackets, used to indicate keyboard keys such as <Tab> or <Enter>.

## Microsoft Windows Support

Cognex CVL and VisionPro software run on Windows 2000 and Windows XP operating systems. In this documentation set, these are abbreviated to Windows unless discussing a feature unique to a specific operating system. Consult your CVL *Getting Started* manual or VisionPro *Quick Reference* for the list of operating systems, hardware, and software supported by your release.





2 rue René Laennec 51500 Taissy France  
Fax: 03 26 85 19 08, Tel : 03 26 82 49 29

Email: [hvssystem@hvssystem.com](mailto:hvssystem@hvssystem.com)  
Site web : [www.hvssystem.com](http://www.hvssystem.com)

■ **Preface**

---

**NOTES**

---

# MVS-8500 and MVS-8500e Installation

# 1

This chapter describes how to install MVS-8500 and MVS-8500e frame grabbers into your PC, how to connect one or more cameras to the frame grabber, and how to connect peripheral equipment such as triggers, strobes, and other I/O devices.

## Note on Terminology

Throughout this manual:

- The terms MVS-8501 and MVS-8504 are used when discussing features specific to frame grabbers that plug into the PCI bus. The term MVS-8500 refers to both boards.
- PCI refers to 32-bit PCI card slots, while PCI-X refers to 64-bit (extended) PCI card slots.
- The terms MVS-8500Le and MVS-8504e are used when discussing features specific to frame grabbers that plug into the PCI Express bus. The term MVS-8500e refers to both boards.
- Descriptions that refer to both the MVS-8500 and MVS-8500e use the term *frame grabber*.
- PCIe refers to the PCI Express bus.
- Frame grabber names are sometimes abbreviated, dropping the MVS- prefix. For example, 8500, 8504 and 8504e.

# Host PC Requirements

To install an MVS-8500 or MVS-8500e frame grabber, the host PC should meet the following minimum requirements:

- For MVS-8500 frame grabbers the motherboard's chip set must be fully compliant with the PCI 2.1, 2.2, or 2.3 specifications. Motherboards with Intel chip sets that support Intel Pentium, Pentium III, Pentium 4, and Xeon CPUs are known to be compliant. Motherboards with VIA chip sets that support the AMD K6-III, and Athlon CPUs are known to be compliant.
  - One available PCI or PCI-X card slot.
- For MVS-8500e frame grabbers the motherboard's chip set must be fully compliant with the PCI Express Revision 1.0a, 1.1, or 2.0 specifications. Motherboards with Intel chip sets that support Intel Pentium 4, Pentium D, Core Duo, Core 2 Duo and Xeon CPUs are known to be compliant.
  - One available PCI Express card slot.
- One available CD-ROM drive (or access to one over a network) to install the Cognex software.

Additional requirements may be imposed by your Cognex software package. Check the Cognex software's release notes or *Getting Started* manual for the software's requirements, if any, on:

- Minimum recommended CPU speed
- Host operating system, including the supported service pack release level
- Supported video cards
- Desktop color depth (the number of colors displayable)
- Desktop size (the number of pixels displayable in width and height on your screen)
- The presence of a mouse or other pointing device

# Installing the MVS-8500 and MVS-8500e

This section describes the steps to prepare for installation and to install an MVS-8500 or MVS-8500e frame grabber. The following section describes how to select and install an MVS-8501 or MVS-8504 frame grabber in a PC with a PCI or PCI-X bus. See *MVS-8500e: Selecting a PCI Express Slot* below on page 15 for a description of installing an MVS-8500Le or MVS-8504e in a PC with a PCI Express bus.

## MVS-8500: Selecting a PCI Slot

The MVS-8500 has a universal PCI interface, compatible with 5 V and 3.3 V systems.

The MVS-8501 model supports standard 33 MHz operation when placed in any PCI or PCI-X slot. The MVS-8501 does not support 66 MHz operation.

The MVS-8504 model supports both 33 MHz and 66 MHz operation. It supports 66 MHz operation under the following conditions:

- The PC's motherboard and chipset must support 66 MHz PCI or PCI-X operation
- The MVS-8504 must be installed in a PCI or PCI-X slot that supports 66 MHz operation
- No 33 MHz PCI cards can be installed on the same 66 MHz PCI or PCI-X bus segment

The MVS-8504 operates as a standard 33 MHz PCI card:

- If placed in a standard 33 MHz PCI slot
- If placed in a 66 MHz PCI or PCI-X slot, but one of the conditions above is not met

## Identifying a 66 MHz PCI Slot for MVS-8504

A provision for supporting 66 MHz operation has been part of the PCI specification since specification version 2.1. Actual support for 66 MHz operation has been generally limited to server or workstation class motherboards.

66 MHz operation is usually associated with 64-bit PCI slots, but the two features are not the same. While 66 MHz operation will usually be found in a 64-bit PCI or PCI-X slot, you cannot presume that all 64-bit PCI slots support 66 MHz operation. You can identify 64-bit PCI slots by their extended size, as shown in Figure 1 on page 14.

A motherboard that supports 66 MHz operation will usually place the 66 MHz PCI slots on a separate PCI bus or bus segment than the 33 MHz PCI slots.

As a general rule, to achieve 66 MHz operation, place the MVS-8504 in a 64-bit PCI or PCI-X slot, and make sure that no 33 MHz PCI boards are placed in another 64-bit slot on the same motherboard. However, there is no physical marker that identifies 66 MHz operation. Only the PC or motherboard documentation can validate:

- Whether 66 MHz operation is supported
- Which PCI slots are on the same PCI bus or bus segment

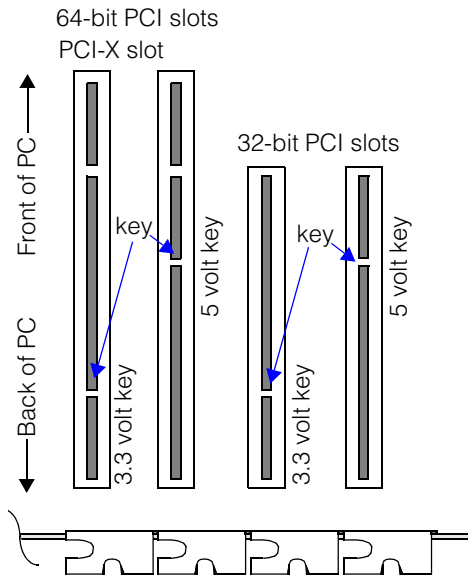


Figure 1. PCI slot types

## PCI-X Slots

Beginning in 2003, motherboards became available with PCI Extended (PCI-X) slots. PCI-X slots are 64-bit slots that support 66 MHz or faster operation. The MVS-8504 operates at 66 MHz in a PCI-X slot, as long as no standard 33 MHz PCI card is placed on the same PCI-X bus segment.

**Note**

Although both the MVS-8501 and MVS-8504 can operate in a 64-bit slot, neither board runs in 64-bit mode, only 32-bit mode.

## MVS-8500e: Selecting a PCI Express Slot

The MVS-8500e has an x1 PCI Express bus interface. PCI Express card slots come in four sizes: x1, x4, x8 and x16 as shown in Figure 2 below.

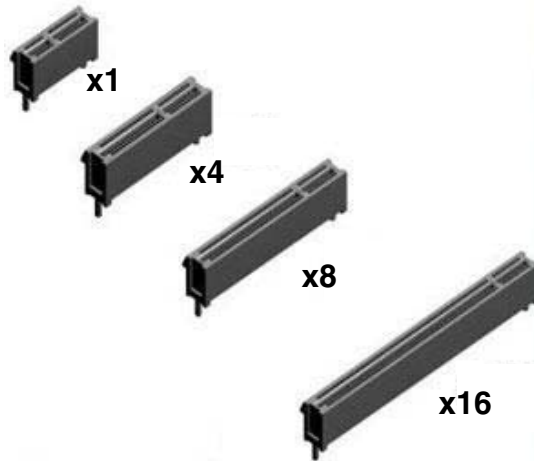


Figure 2. PCI Express card slots

The MVS-8500e has an x1 bus and can be placed in any x1, x4, x8, or x16 PCI Express slot.

## Installation Steps

To install an MVS-8500 or MVS-8500e frame grabber, follow these steps:

**Caution**      *Electrostatic discharge (ESD) can damage the electronic components of your Cognex hardware.*

1. Wear a grounded, static-dissipating wrist strap for ESD protection.
2. Power off the PC and remove its cover.
3. Select an expansion slot for the frame grabber using the information in the previous sections as a guide. Remove the slot cover and store it for future use.
4. Press the board into its slot until it is seated firmly.
5. Connect a power supply from the PC to the external power connector on the upper rear corner of the frame grabber. The connector is labeled J3 on MVS-8500 boards and J2 on MVS-8500e boards.

For the MVS-8500, the external power connector requires a +12 V power source. All

of the power supplied through the external connector is available for powering external cameras; none is used by the board itself.

The MVS-8500 connection is shown in Figure 3 below. You can use the Cognex power adapter cable 300-0391 to connect the MVS-8500 to a standard 4-pin PC power connector, as shown in Figure 4.

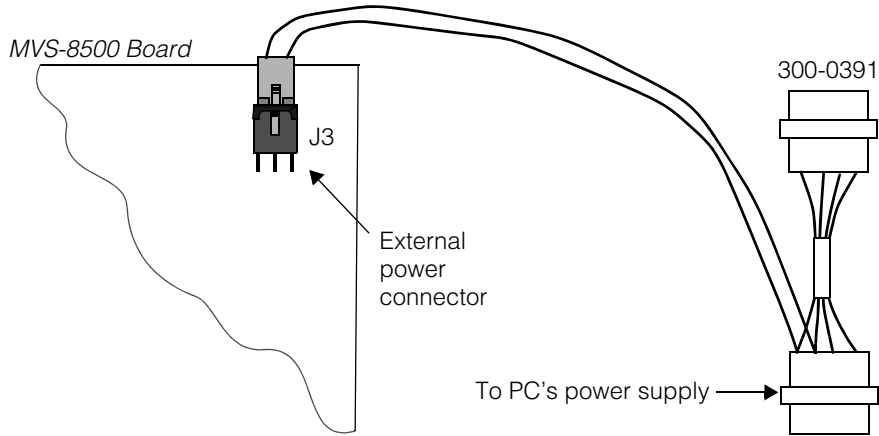


Figure 3. MVS-8500 external power connector

Cognex cable 300-0175 can be used in place of 300-0391 for short-term development purposes. However, cable 300-0175 does not lock into place on the MVS-8500's J3 connector, and should not be used in deployed systems.

The MVS-8500e's external power connector requires both +5 V and +12 V power. The +12 V power is sent directly to the cameras and is not used on board, but the +5 V power *is* used by the MVS-8500e. If the MVS-8500e is not connected to an external +5 V power supply, it will not operate.



You can connect a standard 4-pin PC power cable directly to the MVS-8500e's J2 connector, as shown in Figure 4.

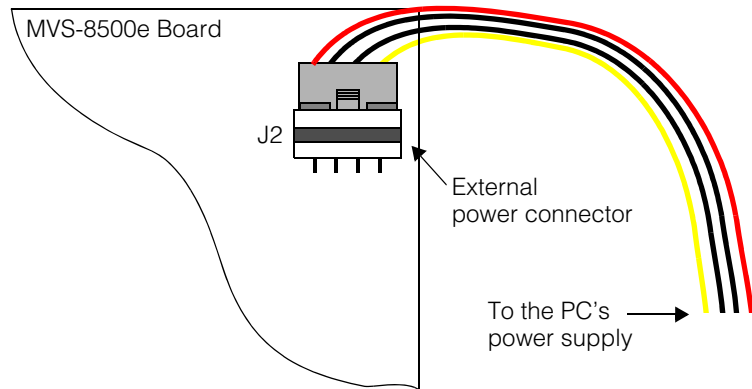


Figure 4. MVS-8500e external power connection

If your PC has SATA power connectors rather than PATA (4-pin) power connectors, you can use the adapter supplied with Cognex power adapter cable 300-0391 to connect both the MVS-8500 and MVS-8500e to a SATA power connector, as shown in Figure 5 and Figure 6.

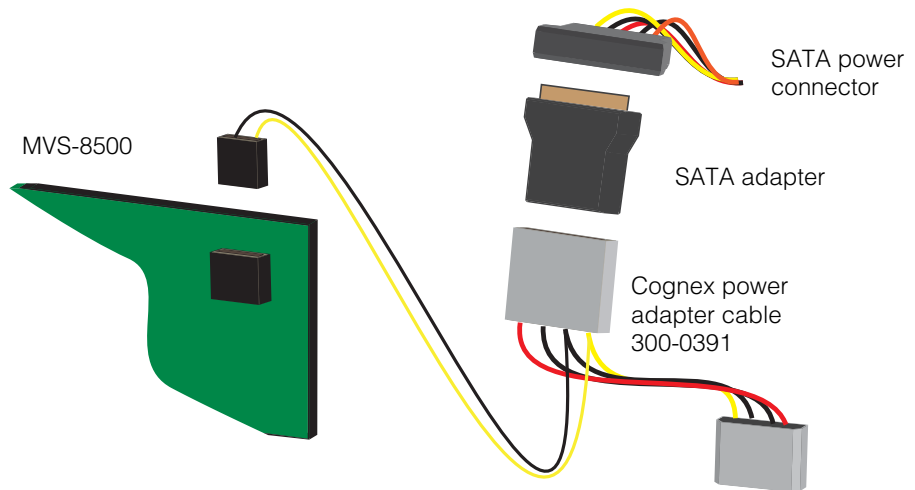


Figure 5. SATA adapter (MVS-8500)

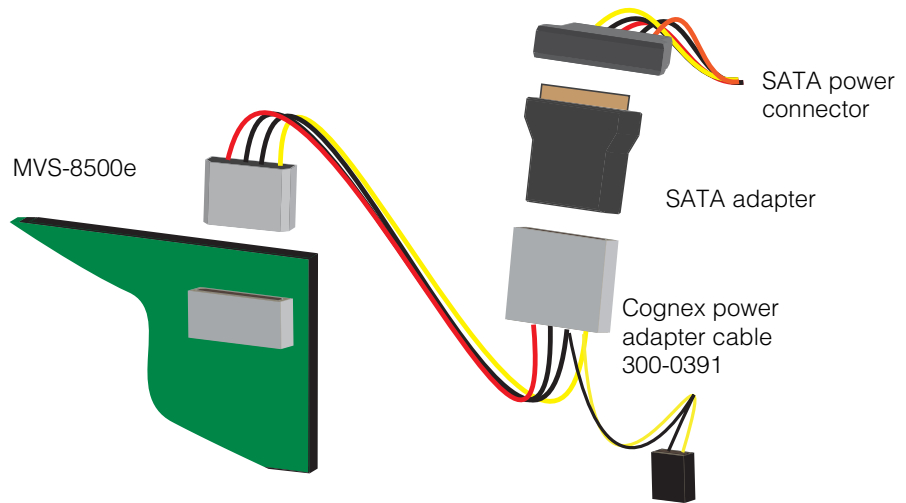


Figure 6. SATA adapter (MVS-8500e)

6. If your PC uses faceplate screws, replace the faceplate screw to anchor the frame grabber so that it does not loosen when attaching and removing cameras.
7. Replace your PC's cover.

**Caution**

*Do not power on the PC until you have connected cameras and any parallel I/O devices to the frame grabber.*

# Configuring Cameras

This section describes the setup steps for the cameras that require special settings for use with MVS-8500 and MVS-8500e frame grabbers.

## Configuring JAI CV-A1 Cameras

The MVS-8500 and MVS-8500e support the use of the JAI CV-A1 large format, progressive scan camera. If you purchase your CV-A1 cameras from Cognex, they arrive configured and ready to use. If you purchase your CV-A1 from a third party, you must configure the camera as described in this section.

Configure the JAI CV-A1 by connecting a serial cable between the camera and a PC running Windows. Then run JAI's Camera Control Tool (CCT), which is downloadable from JAI's web site, [www.jai.com](http://www.jai.com).

Construct a serial cable, or obtain one from JAI. One end of this cable must have a Hirose HR10A-7P-6S connector (7 mm plug, 6-pin female). This end connects to the 6-pin Hirose connector on the CV-A1. The other end of the cable should have a DB-9F or DB-25F connector, whichever matches the serial ports of the PC running the Camera Control Tool. You only need to connect TXD, RXD, and GND signal lines, using your JAI and PC documentation for pinout information. Map the CV-A1's TXD line to the RXD line on the PC's serial port, and map the camera's RXD to the PC's TXD.

1. Apply power to the CV-A1 camera.
2. Connect the serial cable to the CV-A1 camera and to an available serial port on the controlling PC.
3. Start the CV-A1 Control Tool; this displays a single toolbar with seven buttons.
4. Click the sixth button to display the **Communication** dialog.
  - a. In the **Communication Port** drop-down, select the serial port you selected in step 2, or click the **Auto** button.
  - b. Wait for the word *On-line* to show in the **Status** section.
  - c. The **Synchronize** section may show "Not Synchronized." Ignore this for now.
5. Click the first button, which opens the **Shutter and Sync Signals** dialog. Configure the fields of this dialog as follows:

Control	Setting
<b>Shutter Mode</b>	Normal
<b>Trigger Mode</b>	Pulse Width Control

Control	Setting
Trigger Polarity	Active L
HD Synchronous Accumulation	Async
Pixel Clock Out	Off
Partial Scan Mode	Full Frame
EEN/WEN	WEN
WEN Polarity	Active L
Sync Signal Output	On
Binning	Binning OFF

6. Click the sixth button to reopen the **Communication** dialog.
  - a. Click the **Synchronize Camera** button and wait for the confirmation "Synchronized."
7. Click the fifth button to open the **Files and Camera** dialog.
  - a. Select the same *User n* setting for both **Factory and User Settings in Camera** and **Initial Data**. For example, select "User 1" for both fields.
  - b. Click the **Store Settings** button
  - c. Click the **Write to Camera** button.
  - d. Optionally, click the **Write to File** button to save the current camera settings to the file of your choice.
8. Disconnect the serial cable from the camera and PC.

The CV-A1 is now configured to work with the MVS-8500 and MVS-8500e. The camera will power up with these settings until you change them.

## Configuring JAI CV-A2 Cameras

The MVS-8500 and MVS-8500e support the use of the JAI CV-A2 large format, progressive scan camera. If you purchase your CV-A2 cameras from Cognex, they arrive configured and ready to use. If you purchase your CV-A2 from a third party, you must configure the camera as described in this section.

Configure the JAI CV-A2 by connecting a serial cable between the camera and a PC running Windows. Then run JAI's CV-A2 Camera Control Tool (CCT), which is downloadable from JAI's web site, [www.jai.com](http://www.jai.com).

Construct a serial cable, or obtain one from JAI. One end of this cable must have a Hirose HR10A-7P-6S connector (7 mm plug, 6-pin female). This end connects to the 6-pin Hirose connector on the CV-A2. The other end of the cable should have a DB-9F or DB-25F connector, whichever matches the serial ports of the PC running the Camera Control Tool. You only need to connect TXD, RXD, and GND signal lines, using your JAI and PC documentation for pinout information. Map the CV-A2's TXD line to the RXD line on the PC's serial port, and map the camera's RXD to the PC's TXD.

1. Apply power to the CV-A2 camera.
2. Connect the serial cable to the CV-A2 camera and to an available serial port on the controlling PC.
3. Start the CV-A2 Control Tool; this displays a single toolbar with several buttons.
4. Click the **Communication** button to display the **Communication** dialog.
  - a. In the **Communication Port** drop-down, select the serial port you selected in step 2, or click the **Auto** button.
  - b. Wait for the word *On-line* to show in the **Status** section.
  - c. The **Synchronize** section may show "Not Synchronized." Ignore this for now.
  - d. Click the **Synchronize Camera** button and wait for the confirmation "Synchronized." This indicates that the Control Tool is displaying the actual values from the camera.
5. In the **Camera Control** window, specify the following values:

<b>Control</b>	<b>Setting</b>
<b>Shutter Mode</b>	Normal
<b>Shutter Speed</b>	OFF
<b>Partial Scan Mode</b>	Full Frame
<b>Gain Setup</b>	Manual Gain
<b>Rear Potentiometer Gain Control</b>	ON or OFF, depending on your application.
<b>Trigger Mode</b>	Pulse Width Control
<b>Trigger Polarity</b>	Active L
<b>Pixel Clock Out</b>	OFF
<b>HD Synchronous Accumulation</b>	Async
<b>EEN/WEN</b>	WEN

Control	Setting
<b>WEN Polarity</b>	Active L
<b>Sync Signal Output</b>	ON
<b>Binning</b>	OFF
<b>Iris Select</b>	Video Out
<b>Sensor Gate Invert</b>	Normal
<b>Sensor Gate</b>	Trig Mode
<b>Black Level</b>	Do not change (use factory default)
<b>White Clip Level</b>	Do not change (use factory default)

6. Reopen the **Communication** dialog.
  - a. Click the **Synchronize Camera** button and wait for the confirmation "Synchronized." This indicates that the Control Tool has written the new values to the camera.
7. Open the **Files and Camera** dialog.
  - a. Select the same *User n* setting for both **Factory and User Settings in Camera** and **Initial Data**. For example, select "User 1" for both fields.
  - b. Click the **Store Settings** button
  - c. Click the **Write to Camera** button.
  - d. Optionally, click the **Write to File** button to save the current camera settings to the file of your choice.
8. Disconnect the serial cable from the camera and PC.

The CV-A2 is now configured to work with the MVS-8500 and MVS-8500e. The camera will power up with these settings until you change them.

## Configuring Sony DXC-390 Color Cameras

The MVS-8504 and MVS-8504e support the use of the Sony DXC-390 color camera. If you purchase your DXC-390 camera from Cognex, it arrives configured and ready to use.

**Note**

Sony DXC-390 cameras purchased from Cognex may be labeled DXC-390/C on the camera body or on the shipping box or both. The /C designation applies to cameras that have been set up as described in the following steps.

If you purchase your Sony DXC-390 from a third party, you must configure the camera as shown in the following steps.

The following procedure expands the effective horizontal imaging area of the DXC-390 by 200 ns per line, and reduces the video noise level.

1. Remove and carefully set aside the seven small screws that fasten the top cover of the DXC-390. Remove the top cover.
2. Locate switch S102 as shown in Figure 7.

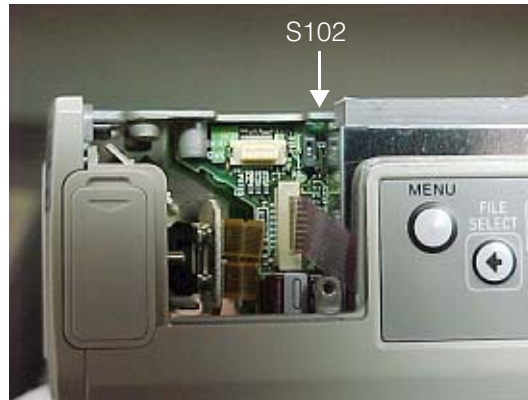


Figure 7. Sony DXC-390 with cover removed

3. Use a small screwdriver to move switch S102 to the down position, labeled ADJ.
4. Connect an NTSC monitor to the camera's composite video connector labeled VIDEO OUT.
5. Provide power to the camera through the Hirose connector labeled DC IN/VBS. Live video now displays on the monitor.

To provide +12 V power to the camera, you can connect the Hirose branch of the Cognex camera cable from an MVS-8504 or MVS-8504e in a powered-on PC, or you can provide power from a bench power supply.

6. Press the MENU button and observe the video monitor. With switch S102 in its normal up position, the MENU button displays a setup menu. With switch S102 in the down position, pressing MENU displays numeric registers plus one setup line of text at the bottom of the screen.

The bottom setup line reads "DSPAdj No. 00 Data 00" This is DSP adjustment number 00, containing the data value 00.

7. Press the ← and → buttons at the same time. This resets the setup line to its middle position, where the DSP adjustment number is 240, and data value is 8C.

8. Press the → button until the DSP adjustment number is 336. You can hold in the → button to fast forward the change in adjustment numbers.
9. At DSP adjustment number 336, press the ↑ or ↓ buttons as required to change the data value from 32 to 3C.
10. Press the ← and → buttons at the same time to return the setup line to DSP adjustment number 240 and data value 8C.
11. Press the ← button until the DSP adjustment number is 207. Hold the button in to fast forward.
12. At DSP adjustment number 207, press the ↑ or ↓ buttons as required to change the data value from F9 to 40.
13. Carefully slide switch S102 to its up position, labeled OPE. Press the MENU button to make sure the standard SETUP menu displays, and not the DSPAdj line.
14. Power off the camera by removing the Hirose cable from the DC IN/VBS connector. Then remove the video out cable, and replace and refasten the top cover on the DXC-390.

## **Cabling for Sony DXC-390 Color Cameras**

The Sony DXC-390 color cameras is supported on the MVS-8504 and MVS-8504e frame grabbers. You can connect the DXC-390 directly to the frame grabber, or you can use a breakout cable that allows the connection of the DXC-390 plus one monochrome cameras.

Use Cognex cable 300-0176 to connect directly to the frame grabber's camera port.

Use Cognex breakout cable 300-0406 as described in *Color+Monochrome Breakout Cable* on page 58.

## **Configuring Sony XC-55 Cameras**

The MVS-8500 and MVS-8500e support the use of the Sony XC-55 and XC-55BB cameras. If you purchase your XC-55 cameras from Cognex, they arrive configured and ready to use. If you purchase your XC-55 from a third party, you must configure the camera as shown in this section.



The XC-55/55BB, as shipped from Sony, is configured to emulate the Sony XC-75 camera. Cognex recommends instead using the XC-55/55BB in its E-DONPISHA II trigger shutter mode for best performance. Two switch settings convert the XC-55/55BB to trigger shutter mode; one switch is external, on the camera's rear panel, while the other switch is internal, under the camera's cover. Follow this procedure:

1. On the rear panel of the XC-55/55BB, locate the **1N/1L** switch. Place this switch in the **1N** position.
2. Remove the cover of the camera control unit. Inside the camera control unit, locate the circuit board labeled SG-257.
3. On the SG-257 circuit board, locate rotary switch **S2**, which is in the upper right of a set of four rotary switches as you hold the camera with its top cover up and the lens mount on the right. Set this switch to the **E** position.

## Configuring Sony XC-ES Cameras

The MVS-8500 and MVS-8500e support the Sony XC-ES50 family of cameras, including the XC-ES50 and XC-ES50CE. If you purchase your XC-ES50 cameras from Cognex, they arrive configured and ready to use. If you purchase your XC-ES50 from a third party, you must configure the camera as shown in this section.

Figure 8 shows the back panel of the Sony XC-ES50 camera with the switches in their factory default and rapid reset modes.

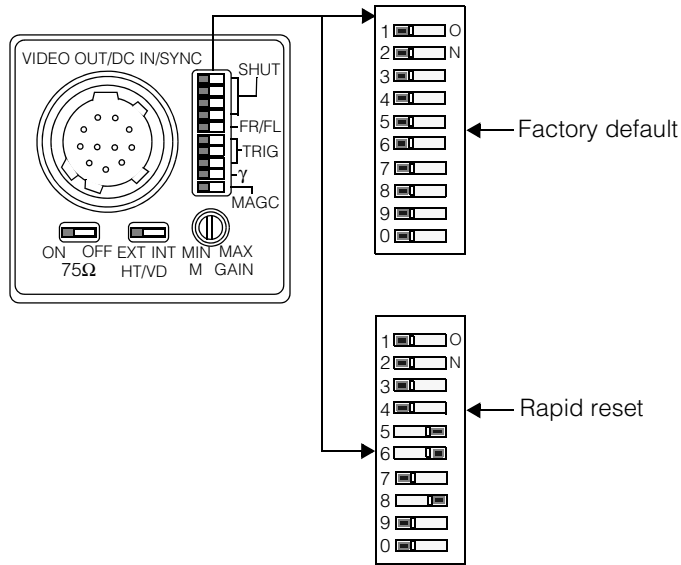


Figure 8. Sony XC-ES50 camera back panel

To configure the switches for the Sony XC-ES50 camera:

1. Configure the 10-position DIP switch as shown in Figure 8.

**Note** You can set switch 5 to ON in factory default mode to use field integration rather than frame integration (single field and half-resolution video formats only).

2. Set the manual gain switch in the fully vertical position.
3. Set the HD/VD switch to external (EXT).
4. Set the 75Ω switch to ON.

## Configuring Sony XC-HR Cameras

When using Sony XC-HR family cameras (HR50, HR57, HR58, HR70, and HR90) with MVS-8500 and MVS-8500e frame grabbers use the following steps to configure your camera to use E-DONPISHA II trigger shutter, progressive scan, and asynchronous reset.

1. Disconnect all electrical connections from the camera before changing the switches.
2. Locate the 10-bit DIP switch block on the back of the camera. Set the switches as shown in Table 1.

DIP Switch	Setting
1	OFF
2	OFF
3	OFF
4	OFF
5	OFF
6	OFF
7	ON
8	ON
9	OFF
0	OFF

Table 1. DIP switch settings for Sony XC-HR50, XC-HR57, XC-HR58, XC-HR70, and XC-HR90

3. For **HR50**, **HR57**, **HR58**, and **HR70** cameras, locate the switch labeled **Int/Ext**. Set this switch to **Ext**.

For **HR90** cameras, set the second 4-bit DIP switch as shown in Table 2.

DIP Switch	Setting
1	ON
2	ON

Table 2. DIP switch settings for Sony XC-HR90

DIP Switch	Setting
3	OFF* (ON for 15 FPS Operation)
4	OFF

Table 2. DIP switch settings for Sony XC-HR90

## Configuring Sony XC-ST Cameras

The MVS-8500 and MVS-8500e support the Sony XC-ST family of cameras, including the XC-ST50 and XC-ST50CE. If you purchase your XC-ST50 cameras from Cognex, they arrive configured and ready to use. If you purchase your XC-ST50 cameras from a third party, you must configure the cameras as shown in this section.

Figure 9 shows the back panel of the Sony XC-ST50 camera with the switches in their factory default and rapid reset modes.

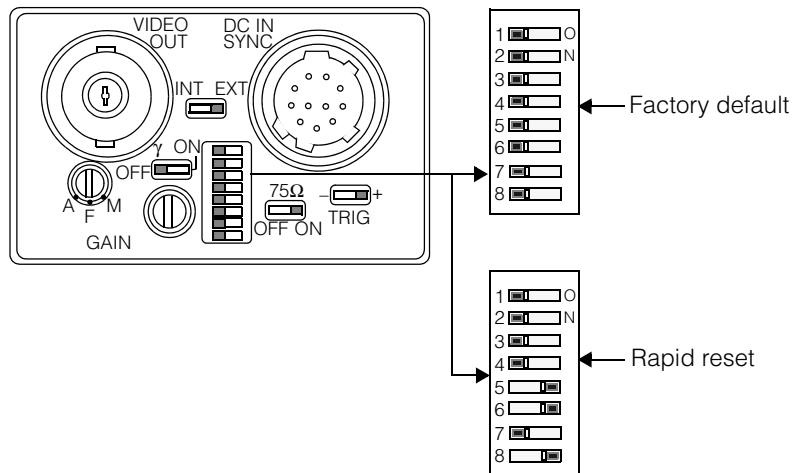


Figure 9. Sony XC-ST50 camera back panel

To configure the switch for the Sony XC-ST50 camera:

1. Configure the 8-position DIP switch as shown in Figure 9.

**Note** Set switch 5 to ON in factory default mode to use field integration rather than frame integration (single field and half-resolution video formats only).

2. Set gain to the “F” position.

3. Set the INT EXT switch to external (EXT).
4. Set TRIG to +.
5. Set gamma ( $\gamma$ ) to off.
6. Set the 75 $\Omega$  switch to ON.

## Configuring Teli CS8541D Cameras

When used with MVS-8500 and MVS-8500e frame grabbers, configure a Teli CS8541D camera to use 1/60 second, non-interlaced, shuttered mode. Follow these steps:

1. Disconnect all electrical connections from the camera before changing the switches.
2. Locate the DIP switch block on the bottom of the camera control unit. Set the switches as shown in Table 3.

Switch Function	DIP Switch	Setting
E shutter speed	1	OFF
E shutter speed	2	ON
E shutter speed	3	ON
Video output mode	4	OFF
Shutter mode	5	OFF
Shutter mode	6	OFF
Partial scan	7	OFF
Partial scan	8	OFF
Trigger polarity	9	OFF
RTS exposure mode	10	ON

Table 3. DIP switch settings for Teli CS8541D camera

- Remove the cover of the camera control unit. Use the camera's Operations Manual to locate switches SW1, SW4, and SW5. Set these switches as shown in Table 4.

Switch Function	DIP Switch	Setting	Default setting
Video out coupling	SW1	AC	DC
E shutter speed	SW4	IN	IN
ExSync In Impedance	SW5	75	High

Table 4. Internal switch settings for Teli CS8541D camera

- Replace the camera control unit's cover.
- Locate the switch labeled **Gain Control** on the side of camera's control unit. Set this switch to **Fix**.

## Configuring Toshiba IK-53V Cameras

When used with MVS-8500 and MVS-8500e frame grabbers, configure Toshiba IK-53V cameras to use pulse width trigger, sync non-reset, full-resolution, progressive scan mode. Follow these steps:

- Disconnect all electrical connections from the camera before changing the switches.
- Locate the DIP switch block on the back of the camera. Set the switches as shown in Table 5.

DIP Switch	Setting
1	OFF
2	OFF
3	OFF
4	OFF
5	ON
6	ON
7	OFF
8	OFF

Table 5. DIP switch settings for Toshiba IK-53V camera

<b>DIP Switch</b>	<b>Setting</b>
9	ON
0	OFF

*Table 5. DIP switch settings for Toshiba IK-53V camera*

## Connecting Cameras

For most cameras supported by the MVS-8500 and MVS-8500e, you must attach a camera breakout cable to the frame grabber's DB-26F camera port. The breakout cable provides four Hirose 12P ports for connecting cameras, labeled CAM1 through CAM4. See *Options for Connecting Cameras* on page 55 for a description of the available breakout cables.

See the *Supported Cameras* document shipped with your Cognex software package for the most current list of supported cameras and cables. The location of this document is described in *Camera Cables for Supported Cameras* on page 60.

Connecting the Teli CS8541D and Sony DXC-390 cameras are exceptions. The cables for these cameras connect directly to the frame grabber's DB-26F camera port. You can connect only one Teli CS8541D or Sony DXC-390 to an MVS-8500 or MVS-8500e.

**Caution**

*The MVS-8500 and MVS-8500e do not support hot plugging of cameras. Before you attach or detach a camera, be sure the PC's power is fully off. Attaching equipment to an MVS-8500 or MVS-8500e with the power on can result in electrical damage.*



## Connecting Parallel I/O Devices

The MVS-8500 and MVS-8500e support the connection of trigger and strobe devices, as well as general use I/O devices such as status LEDs, part reject switches, and so on. The MVS-8501, MVS-8504, and MVS-8504e provide sixteen bidirectional TTL lines that can be controlled by Cognex software. The MVS-8500Le provides 8 lines. When used with the Cognex opto-isolated I/O module, all lines can be optically isolated.

Software commands in your vision processing application determine whether a bidirectional line is enabled for input or output. Each bidirectional line is independently controlled; any line can be either input or output.

On the MVS-8504 and MVS-8504e, four of the lines can be configured as hardware trigger lines, and four can be configured as hardware strobe control lines. Software commands in your vision processing application determine whether the dedicated trigger or strobe feature of these lines is enabled.

Table 6 summarizes the cable and hookup requirements of the parallel I/O device connection options.

	Cognex cable	Connects to ...	Then to ...
<b>Opto Option</b>	300-0389	Opto-isolated I/O module, P/N 800-5712-3	
<b>TTL Option</b>	300-0390	Pass-through TTL I/O module, P/N 800-5818-1	I/O devices
<b>Half Opto, Half TTL Option</b>	300-0399	One branch terminates in a 10-pin terminal strip. The other branch connects to the Opto-isolated I/O module, P/N 800-5712-3	

Table 6. I/O connection option cables and equipment

### Caution

*The MVS-8500 and MVS-8500e do not support hot plugging of I/O devices. Before you attach I/O devices, be sure the PC's power is fully off. Attaching equipment to an MVS-8500 or MVS-8500e with the power on can result in electrical damage.*

## Connecting TTL I/O Devices

Figure 10 illustrates the connection of parallel I/O devices to an MVS-8500 using the TTL option. Connections to an MVS-8500e are identical.

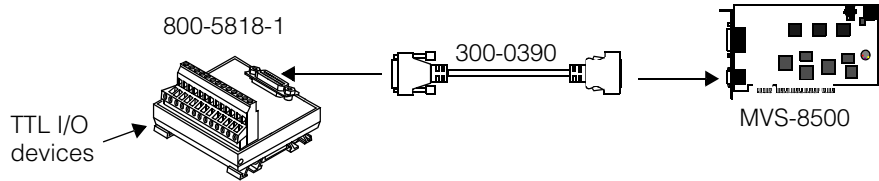


Figure 10. TTL connection option

The Cognex TTL I/O module is described in more detail in *TTL I/O Connection Module* on page 67.

To connect TTL devices to the MVS-8500 or MVS-8500e, follow these steps:

1. Make sure all parallel I/O devices and the PC hosting the frame grabber are powered off.
2. Connect Cognex cable 300-0390 to the MDR20 port on the faceplate of the frame grabber.
3. Connect the other end of the cable to the DB-25 connector on the TTL I/O module.
4. Attach the TTL I/O module to a convenient surface. It is configured for standard #3 DIN rail mounting.
5. Connect wires from I/O devices to screw terminals on the TTL I/O module, using the pinout in Table 21 on page 70 as a guideline.

See *Line Numbering* on page 64 for information on mapping the signal names in the pinout table to the software commands that you will use to enable, disable, set, and toggle each I/O line.

## Connecting I/O Devices with All Opto-Isolation

Figure 11 illustrates the connection of parallel I/O devices to an MVS-8500 using the all opto-isolated option. Connections to an MVS-8500e are identical.

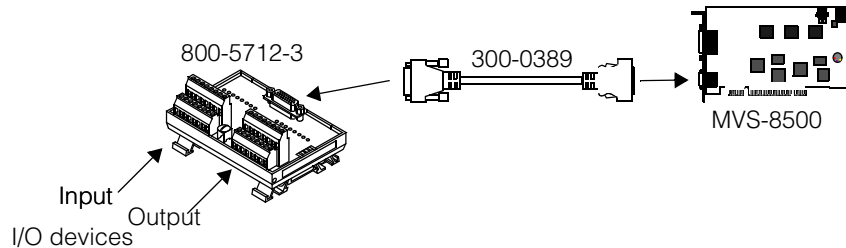


Figure 11. All opto-isolated connection option

For the all opto-isolated connection option, use cable 300-0389 to connect your frame grabber to the Cognex opto-isolated I/O module, P/N 800-5712-3. The opto-isolated I/O module takes the TTL signals from the frame grabber and passes them through optical isolation circuitry, splitting each TTL bidirectional line into a plus and minus pair of either input or output lines. You then connect parallel I/O devices to screw terminals on the external I/O module. The Cognex opto-isolated I/O module is described in more detail in *Opto-Isolated I/O Connection Module* on page 72.

To connect parallel I/O devices to the MVS-8500 or MVS-8500e with all optical isolation, follow these steps:

1. Make sure all parallel I/O devices and the PC hosting the frame grabber are powered off.
2. Connect Cognex cable 300-0389 to the MDR20 port on the faceplate of the frame grabber.
3. Connect the other end of cable 300-0389 to the DB-26F port labeled "Vision Processor" on the opto-isolated I/O module.
4. Attach the opto-isolated I/O module to a convenient surface. It is configured for standard #3 DIN rail mounting.
5. Connect a ground wire from the opto-isolated I/O module's screw terminal labeled "Ground" to a ground point.

### Caution

*The opto-isolated I/O module must have the same ground potential as the chassis of the PC containing the frame grabber. Any difference in potential can damage the equipment. If you connect a ground wire to the I/O module ground screw, then that ground must have the same potential as the frame grabber host's ground.*

6. Connect wires from your I/O input devices, including trigger devices, to the plus and minus terminals of the input block of the external I/O module. Use the pin numbering in Table 25 on page 83 as a guideline.

Notice that after opto-isolation of the TTL signal from the MVS-8500 or MVS-8500e, the connections listed in Table 25 are for inputs only, and are no longer bidirectional.

7. Connect wires from your I/O output devices, including strobes, to the plus and minus terminals of the output block of the external I/O module. Use the pin numbering in Table 27 on page 85 as a guideline.

Notice that after opto-isolation of the TTL signal from the MVS-8500 or MVS-8500e, the connections listed in Table 27 are for outputs only, and are no longer bidirectional.

See *Line Numbering* on page 64 for information on mapping the signal names in the pinout tables to the software commands that you will use to enable, disable, set, and toggle each I/O line.

## Connecting I/O Devices with Partial Opto-Isolation

Figure 12 illustrates the connection of parallel I/O devices to an MVS-8500 using the half opto-isolated, half TTL option. These connections to an MVS-8500e are identical.

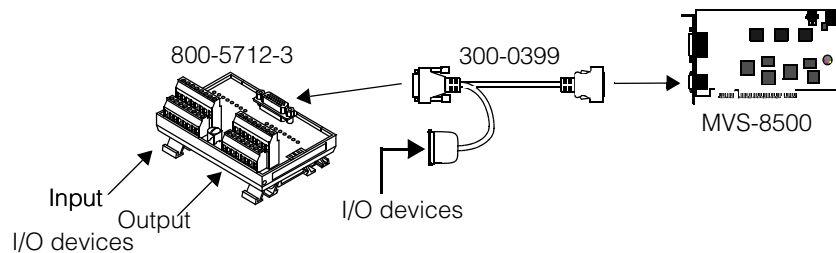


Figure 12. Half opto-isolated, half TTL connection option

With this option, eight of the frame grabber's parallel I/O lines are opto-isolated through the opto-isolated connection module, while the other eight lines are brought out to a Phoenix 10-pin terminal strip for direct connection as TTL lines. The four I/O lines that can be enabled as trigger lines are on the Phoenix connector, while the four lines that can be enabled as strobe lines are on the opto-isolated module.

To connect parallel I/O devices to the MVS-8500 or MVS-8500e with half optical isolation, half TTL, follow these steps:

1. Make sure all parallel I/O devices and the PC hosting the frame grabber are powered off.
2. Connect Cognex cable 300-0399 to the MDR20 port on the faceplate of the frame grabber.
3. Connect the DB-26M branch of cable 300-0399 to the DB-26F port labeled "Vision Processor" on the opto-isolated I/O module.
4. Attach the opto-isolated I/O module to a convenient surface. It is configured for standard #3 DIN rail mounting.
5. Connect a ground wire from the opto-isolated I/O module's screw terminal labeled "Ground" to a ground point.

**Caution**

*The opto-isolated I/O module must have the same ground potential as the chassis of the PC containing the frame grabber. Any difference in potential can damage the equipment. If you connect a ground wire to the I/O module ground screw, then that ground must have the same potential as the frame grabber host's ground.*

6. Connect wires from your I/O input devices to the plus and minus terminals of the input block of the opto-isolation I/O module. Use the pin numbering in Table 26 on page 84 as a guideline.

Notice that after opto-isolation of the TTL signal from the frame grabber, the connections listed in Table 26 are for inputs only, and are no longer bidirectional.

7. Connect wires from your I/O output devices, including strobes, to the plus and minus terminals of the output block of the opto-isolation I/O module. Use the pin numbering in Table 28 on page 86 as a guideline.

Notice that after opto-isolation of the TTL signal from the frame grabber, the connections listed in Table 28 are for outputs only, and are no longer bidirectional.

8. Connect wires from your TTL devices, including triggers, to the screw terminals on the 10-pin Phoenix terminal strip of cable 300-0399. Use the pin numbering in Table 23 on page 75 as a guideline.

See *Line Numbering* on page 64 for information on mapping the signal names in the pinout tables to the software commands that you will use to enable, disable, set, and toggle each I/O line.

**NOTES**

---

# MVS-8500 and MVS-8500e Hardware

# 2

CR1PR1 This chapter describes Cognex MVS-8500 and MVS-8500e frame grabber hardware.

This chapter contains the following sections:

- *MVS-8500 and MVS-8500e Components* on page 40 describes the components that make up the MVS-8500 and MVS-8500e.
- *Mechanical Specifications* on page 45 provides a physical description of the MVS-8500 and MVS-8500e, including information about mechanical layout, environmental requirements, and safety standards.
- *Electrical Specifications* on page 50 describes the electrical interface to the MVS-8500 and MVS-8500e, including power requirements, connector pinouts, and circuit descriptions.

## Note on Terminology

Throughout this manual:

- The terms MVS-8501 and MVS-8504 are used when discussing features specific to frame grabbers that plug into the PCI bus. The term MVS-8500 refers to both boards.
- PCI refers to 32-bit PCI card slots, while PCI-X refers to 64-bit (extended) PCI card slots.
- The terms MVS-8500Le and MVS-8504e are used when discussing features specific to frame grabbers that plug into the PCI Express bus. The term MVS-8500e refers to both boards.
- For descriptions that refer to both the MVS-8500 and MVS-8500e, we often just use the term *frame grabber*.
- PCIe is sometimes used to refer to the PCI Express bus.
- Frame grabber names are sometimes abbreviated, dropping the MVS- prefix. For example, 8500, 8504 and 8504e.

# MVS-8500 and MVS-8500e Components

This section describes MVS-8500 and MVS-8500e frame grabbers and their components.

## PCI Bus Interface

The PCI bus interface of the MVS-8500 is a universal voltage, 32-bit, 33/66 MHz interface that conforms to the PCI 2.3 standard.

The MVS-8504 model operates at 66 MHz, when placed in a PCI or PCI-X slot that supports 66 MHz operation, with no 33 MHz PCI boards on the same bus.

The MVS-8504 operates at 33 MHz when placed in a standard 32-bit, 33 MHz PCI or PCI-X slot.

The MVS-8501 operates at 33 MHz in all PCI or PCI-X slots.

## PCI Express Bus Interface

The MVS-8500e has an x1 PCI Express bus interface. PCI Express card slots come in four sizes: x1, x4, x8 and x16 as shown in Figure 3 on page 16. The MVS-8500e can be used in any PCI Express slot.

## Video Acquisition Interface

The video acquisition interface on the MVS-8500 and MVS-8500e has the following characteristics:

- Supports up to four high speed cameras.
- Supports progressive scan cameras
- Supports interlaced cameras
- Supports external sync on the composite sync line (EIA RS-170 and CCIR formats only)
- Supports master-slave image acquisition: one master with up to three slaves, or two masters with one slave each

**Note** The MVS-8501 and MVS-8500Le do not support master-slave acquisition.

- Each of the four camera ports incorporates an anti-aliasing filter
- Gain and offset control is software programmable



- Provides an external clamping circuit for each video channel
- Supports up to two camera control lines per camera port for electronic shutter, rapid reset, and other camera control

## Model Differences

There are two models in the MVS-8500 series and two models in the MVS-8500e series. Table 7 distinguishes the features of these four models.

Feature	PCI bus		PCI Express Bus	
	MVS-8501	MVS-8504	MVS-8500Le	MVS-8504e
Bus interface	PCI Universal 32/64-bit, 33/66 MHz		PCI Express, x1	
Bus interface options	33 MHz operation in both 32-bit (short) PCI slots and 64-bit (long) PCI and PCI-X slots.	66 MHz operation in 64-bit (long) PCI slots or PCI-X slots.  33 MHz operation in standard 32-bit (short) PCI slots (Board extends past end of slot)	MVS-8500Le and MVS-8504e may be plugged into any PCIe slot.	
Cameras connected at same time	1 to 4		1 or 2	1 to 4
Asynchronous image acquisitions	1	1 to 4	1	1 to 4
Onboard video multiplexor	yes	no	Yes	no
Onboard video timing generators	1	4	1	4
Onboard analog-to-digital converters	1	4	1	4
Maximum recommended pixel clock	40 MHz		50 MHz	
Onboard SDRAM for FIFO buffer	8 MB	16 MB	8 MB	16 MB

Table 7. Differences between MVS-8500 and MVS-8500e

Feature	PCI bus		PCI Express Bus	
	MVS-8501	MVS-8504	MVS-8500Le	MVS-8504e
Supports master-slave image acquisition	no	yes	no	yes
Supports RGB color cameras	no	yes	no	yes
Supports dual-tap cameras	no	yes	no	yes
Number of bidirectional parallel I/O lines	16	16	8	16
Parallel I/O lines configurable as hardware trigger lines	1	4	1	4
Parallel I/O lines configurable as hardware strobe lines	1	4	1	4
Syncs to camera's HD/VD output	Camera 1 only	All 4 cameras	Camera 1 only	All 4 cameras
Syncs to camera's composite video	All 4 cameras, but switching delay	All 4 cameras	2 cameras, butswitching delay	All 4 cameras

Table 7. Differences between MVS-8500 and MVS-8500e

**Note**

Your Cognex software package may only support a subset of the hardware video acquisition features. Consult your software's *Getting Started* manual or *Release Notes* for information on your software's support for MVS-8500 and MVS-8500e hardware features.

## MVS-8500 Board Version Differences

The MVS-8500 has been released in the versions shown in Table 8.

Board type	Circuit board part (etched on board)	MVS-8501 part numbers	MVS-8504 part numbers
<b>0200</b>	203-0200-Rn	801-8501-01	801-8504-01, 801-8504-02
<b>0236</b>	203-0236-Rn	801-8501-10, 801-8501-11, or later	801-8504-10, 801-8504-11, or later

Table 8. Version differences for MVS-8500

## Early MVS-8504 Limitations

The following MVS-8504 features are *not* supported on the earliest version of the MVS-8504, with circuit board part 203-0200-RA.

- Master-slave image acquisition
- Syncing to the camera's composite video
- Syncing to the camera's HD/VD output
- Dual-tap cameras

No MVS-8501 was released on the 203-0200-RA circuit board, so these limitations apply only to the early MVS-8504.

These features *are* supported on all subsequent revisions of the MVS-8504.

## MVS-8500 Redesign

MVS-8500 versions with circuit board type 0236 have part number 203-0236-*Rn* etched on the circuit board near one of the board edges. The 0236 versions are based on a redesigned circuit board. They are identical to their predecessors in form, fit, and function, but with lower power consumption.

## Parallel I/O

MVS-8500 and MVS-8500e frame grabbers communicate with devices such as strobes, triggers, sensors, LEDs, and programmable controllers over parallel signal interface lines.

An MDR20 connector on the frame grabber faceplate provides sixteen programmable bidirectional TTL lines. Each bidirectional line can be set as an input or output line independently of the other lines.

On the MVS-8504 and MVS-8504e, four of the sixteen lines can be software-configured as hardware trigger lines, and four lines can be configured as strobe control lines, one per camera.

On the MVS-8501 and MVS-8500Le, one line can be configured as the trigger line for the active camera, and one line can be configured as the strobe line for the active camera.

Cognex provides cables to connect the MDR20 connector to one of:

- A pass-through TTL breakout adapter (cable 300-0390)
- An opto-isolated breakout adapter (cable 300-0389)
- Half the signals to the opto-isolated adapter and half to a screw terminal strip (cable 300-0399)

The MVS-8500 and MVS-8500e support immediate mode triggering, which minimizes the external trigger to strobe/shutter latency (to  $\leq 2$  microseconds), when performing image capture of fast moving objects using electronically shuttered cameras.

## **Image Acquisition and Video Output**

MVS-8500 and MVS-8500e image output is passed through the PCI bus or PCIe bus respectively, to an AGP or PCIe video display adapter under the control of the host PC's operating system. These frame grabbers provide the following features to support display of video images:

- DMA directly to video memory of the display adapter
- Color format conversion for 16-bit and 32-bit display formats

# Mechanical Specifications

This section describes the mechanical layout, connectors, environmental requirements, and shipment packaging for the MVS-8500 and MVS-8500e frame grabbers.

## MVS-8500 Layout

The MVS-8500 is a short length PCI card, measuring 6.6 x 4.2 inches (168 x 107 mm), and occupies a single PCI bus slot. Figure 13 shows the connectors and LEDs on the MVS-8500's circuit board.

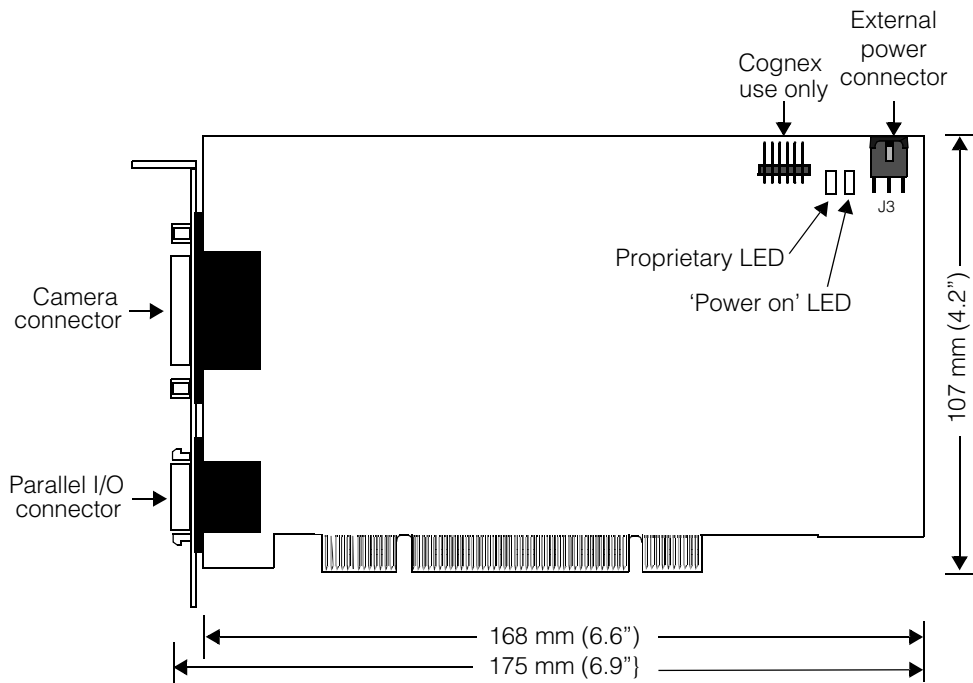


Figure 13. MVS-8500 component location

## MVS-8500e Layout

The MVS-8500e is a short length PCIe card, measuring 6.6 x 4.2 inches (168 x 107 mm), and occupies a single x1 PCIe bus slot. Figure 14 shows the connectors and LEDs on the MVS-8500e circuit board. Separate power LEDs are supplied to indicate the presence of 3.3V, 12V, and 5V input power.

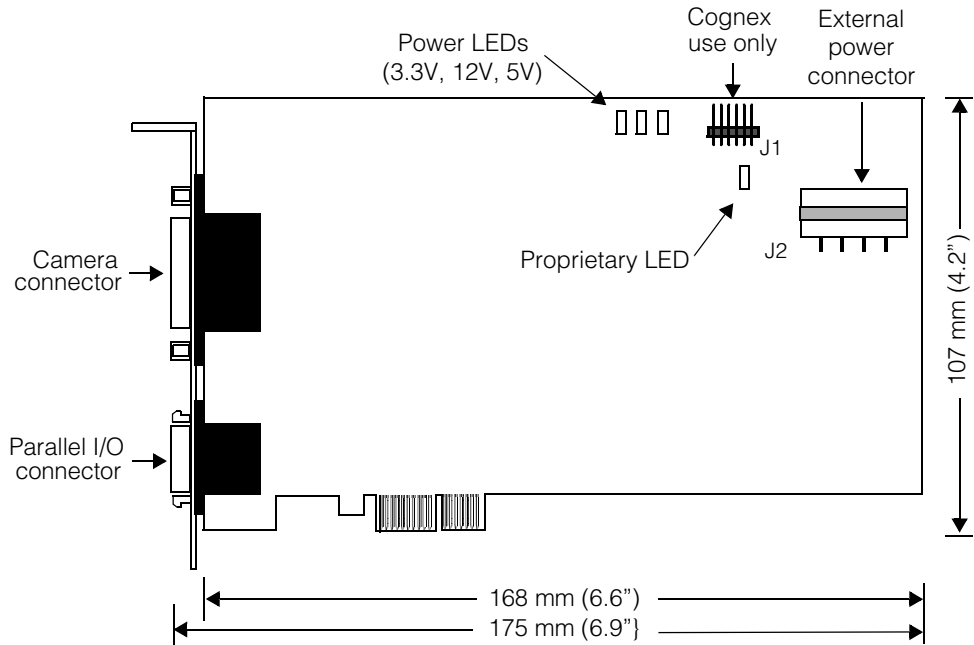


Figure 14. MVS-8500e component location

## Connector Summary

MVS-8500 and MVS-8500e frame grabbers have the following connectors on the faceplate:

- DB-26 female connector, Amp part number 748481-5, for connecting cameras by means of a breakout cable. This port connects to a cable with an HD-DB26M connector, Amp part number 748469-1 or equivalent. The pin numbering and pinout of the camera connector are described in *Camera Connector* on page 52.
- MDR20 female connector, 3M part number D10220-55H3VC, for connecting triggers, strobes, and parallel I/O devices. Connects to a cable with a 20-pin MDR connector, 3M part number 10120-600EC, with 10320-A200-00 backshell kit, or equivalents. The pin numbering and pinout of this port are described in *Pinout of Parallel I/O Connector* on page 63.

MVS-8500 and MVS-8500e frame grabbers have one user-accessible jack on the circuit board: an external power connector that you connect to the PC power supply to provide +12 V power to your cameras and, in the case of the MVS-8500e, +5 V power for the MVS-8500e.

The power connector is located in the upper right corner of the circuit board as you hold the board with faceplate to the left. The power connectors are different for the MVS-8500 and MVS-8500e.

- The MVS-8500 power connector is labeled J3 and is a three-pin header, Berg part number 78203-103. Cognex cable 300-0391, or equivalent, plugs into J3. This power cable connects to one of the host PC's disk drive power supply connectors using Molex part 50-57-9403 with appropriate terminal pins. See Figure 3 on page 16.
- The MVS-8500e power connector is labeled J2 and is a standard Molex connector used in PC disk drives. You can plug any available PC power supply cable into this jack. See Figure 4 on page 17.

Figure 15 shows the appearance and pin assignments of the two external power connectors. See the section *Power Requirements* on page 50 for more information.

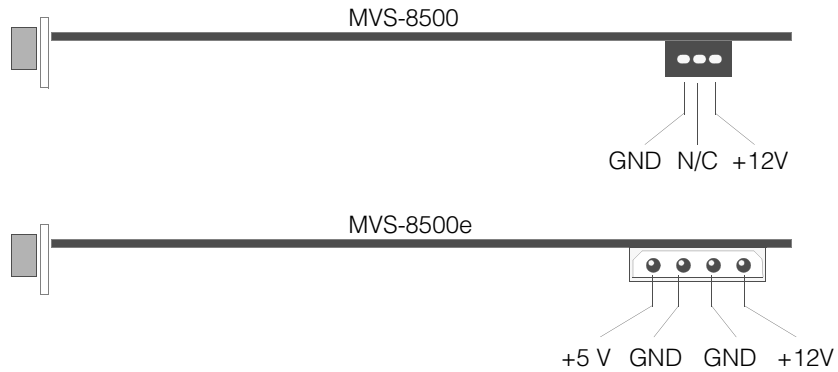


Figure 15. MVS-8500 and MVS-8500e external power connectors

## Environmental Requirements

Table 9 lists the environmental requirements for the MVS-8500 and MVS-8500e. These specifications are for the environment inside the PC where the frame grabber board is installed.

	Operating Conditions	Storage Conditions
<b>Temperature</b>	0° to 50° C	–40° to 65° C
<b>Humidity</b> (non-condensing)	10% to 90%	10% to 90%

Table 9. Environmental requirements

## Shipping

All MVS-8500 and MVS-8500e frame grabbers are shipped in protective packaging and antistatic bags. Save all packing materials in case you need to ship the frame grabber.



# Standards Compliance

The MVS-8500 and MVS-8500e meet the following worldwide standards for safety, electromagnetic compatibility, and electrostatic sensitivity.

## International

Compliance with the following electromagnetic emissions standards:

- United States Code of Federal Regulations Part 15: Federal Communications Commission Class A radio frequency emissions standard
- European Union emissions standard EN55022:1994+ A1:1995+ A2:1997 for the MVS-8500. EN 61000-3-2:2005 and EN 61000-3-3:1995 + A1:2001 for the MVS-8500e.
- Japanese VCCI standard
- Australia and New Zealand standard 3548

## European Community

MVS-8500 and MVS-8500e frame grabbers are in conformance with the EN61326:1998 Council Directive on immunity for measurement, control, and laboratory equipment, encompassing the following tests:

EN61000-4-2:1995	EN61000-4-5:2001	EN61000-4-11:1994
EN61000-4-3:1998	EN61000-4-6:1996	IEC 61326:2005 (MVS-8500e)
EN61000-4-4:1995	EN61000-4-8:1998	

MVS-8500 and MVS-8500e frame grabbers are in conformance with the following Council Directive on electromagnetic emissions:

EN61000-3-2:2000	EN61000-3-3:2000
------------------	------------------

The manufacturer of the MVS-8500 and MVS-8500e is:

Cognex Corporation  
1 Vision Drive  
Natick, MA 01760

The European representative is:

Cognex France  
Immeuble Le Patio  
104 Avenue Albert 1er  
92563 Rueil Malmaison  
France

# Electrical Specifications

This section describes the electrical specifications of the MVS-8500 and MVS-8500e, including power requirements and signal descriptions.

## Power Requirements

The MVS-8500 draws +5 V power from the PCI bus while the MVS-8500e draws +3.3V and +12V power from the PCIe bus and +5V power from the external power connector. The maximum current draw occurs during board power-up.

On the MVS-8500 and MVS-8500e, camera power is drawn from an external power connector and is not pulled through the PCI bus. For both boards, an external power adapter must connect to the frame grabber board through a power jack. (See *Connector Summary* on page 47).

For an alternative +12 V power source you can provide +12 V camera power through one of the breakout cables, as described in *Monochrome Breakout Cable with Power Input* on page 56.

### Note

If you are using the MVS-8500e, you must connect +5V power to the external power connector on the board (J2) even if you connect +12V power to the breakout cable.

The power requirements and power consumption specifications are different for the 0200 and 0236 circuit board versions of the MVS-8500. To determine the version of your MVS-8500 frame grabber, see *MVS-8500 Board Version Differences* on page 42.

The voltage numbers in the following tables have a tolerance of  $\pm 5\%$ .

## MVS-8500 0200 Version Power Requirements

Table 10 shows the maximum voltage draws from the 0200 circuit board version of the MVS-8500.

Voltage	MVS-8501	MVS-8504
+5 V	2.4 A	4.2 A
+12 V	0.1 A	0.2 A
-12 V	0.1 A	0.2 A

Table 10. MVS-8500 (0200 version) maximum voltage draws

Maximum power consumption for the 0200 board version is approximately:

- MVS-8501: 14.4 watts
- MVS-8504: 25.8 watts

## MVS-8500 0236 Version Power Requirements

Table 11 shows the maximum voltage draws from the 0236 circuit board version of the MVS-8500. This version does not draw 12 V power from the PCI bus.

Voltage	MVS-8501	MVS-8504
+5 V	2.4 A	3.8 A
±12 V	not used	

Table 11. MVS-8500 (0236 version) maximum voltage draws

Maximum power consumption for the 0236 board version is approximately:

- MVS-8501: 12.0 watts
- MVS-8504: 19.0 watts

## MVS-8500e Version Power Requirements

Table 12 shows the maximum voltage draws from the MVS-8500e.

Voltage	Source	MVS-8500Le	MVS-8504e
+3.3 V	PCIe Bus	2.0 A	3.0 A
+12 V	PCIe Bus	0.25 A	0.5 A
+5 V	External power connector	0.25 A	0.5 A
±12 V	External power connector	not used	

Table 12. MVS-8500e maximum voltage draws

Maximum power consumption for the MVS-8500e is approximately:

- MVS-8500Le: 11.0 watts
- MVS-8504e: 19.0 watts

## Fuses

There are no user-replaceable fuses on MVS-8500 and MVS-8500e frame grabbers.

MVS-8500 and MVS-8500e boards have the following lines protected by PolySwitch resettable fuses:

- Each camera input channel is protected at 500 mA per channel.
- Each camera's HD, VD, CTRL1, and CTRL2 lines are individually protected at 100 mA each.
- The +5 V output lines of the parallel I/O connector (pins 1 and 11) are together protected at a minimum of 500 mA. The fuse nominal rating is 750 mA.
- The external +12 V input lines from the external power connector (J3 on the MVS-8500; J2 on the MVS-8500e) are protected at a minimum of 1.0 A for camera channels 1 and 2, and 1.0 A for channels 3 and 4. The fuse nominal rating is up to 1.5 A each.

In the fuse list above, some entries show both a minimum and a nominal rating. In typical use, these fuses can pass up to the nominal rating, but their trip point is temperature dependent, and lowers as temperature rises. Under the operating condition temperatures shown in Table 9 on page 48, these fuses will always pass at least the minimum rating.

If an over voltage or over current condition occurs on one of the above listed lines, the PolySwitch fuse trips, opening the circuit. You only need to remove the device that caused the condition, correct the overcurrent condition, wait a few minutes for the PolySwitch circuitry to cool down, then plug the device back in. The fuse resets itself.

## Camera Connector

Cameras are attached to MVS-8500 and MVS-8500e frame grabbers through its DB-26F camera connector, as described in *Options for Connecting Cameras* on page 55.

Pin numbering for the camera connector is shown in Figure 16. The orientation is looking straight into the connector with the frame grabber board held horizontally, facing the faceplate, with the MDR20 parallel I/O connector on the right of the DB-26 connector.

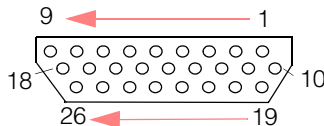


Figure 16. Pin numbering of camera connector

The pinout of the camera connector is shown in Table 13.

Pin	Signal Name	Pin	Signal Name	Pin	Signal Name
1	VIDEO-Cam3	10	VDrive-Cam4	19	CTRL1-Cam4
2	GND	11	HDrive-Cam4	20	CTRL2-Cam4
3	CTRL2-Cam3	12	CTRL1-Cam3	21	+12 V (Cam 3 and 4)
4	HDrive-Cam3	13	VDrive-Cam3	22	VIDEO-Cam4
5	VIDEO-Cam2	14	GND	23	+12 V (Cam1 and 2)
6	GND	15	CTRL1-Cam2	24	CTRL2-Cam1
7	VDrive-Cam2	16	CTRL2-Cam2	25	HDrive-Cam1
8	GND	17	HDrive-Cam2	26	VDrive-Cam1
9	VIDEO-Cam1	18	CTRL1-Cam1		

Table 13. Pinout for camera connector

## Analog Video Input Circuit

CAM VIDEO, the video input signal, is approximately 1 V peak to peak and is terminated with a  $75\ \Omega$  resistor to ground. Each of the analog video signals connects to the frame grabber as shown in Figure 17.

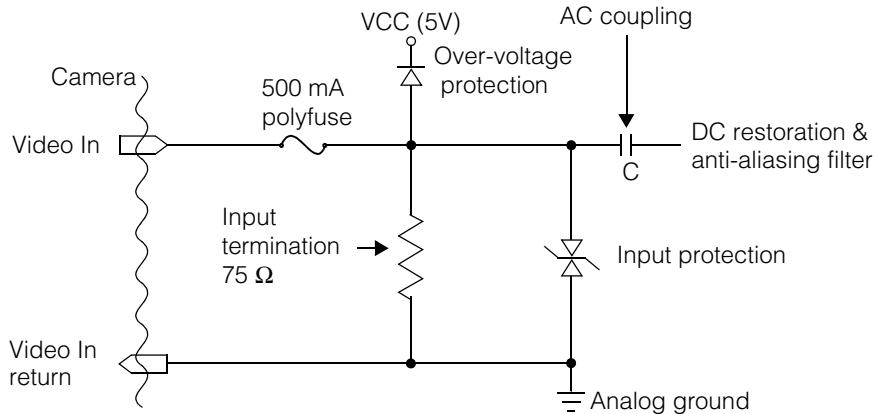


Figure 17. Analog video input circuit

The video signal is terminated with a  $75\ \Omega$  load and is AC-coupled into the video input section. The video signal is DC-restored internally and the anti-aliasing filter provides noise rejection for switching and random noise above the CAM VIDEO rate. Digitization of the input signal is relative to the black level during the blanking interval and is not affected by any DC offset that the camera may generate.

The ESD protection device provides static discharge protection to the circuitry.

Figure 18 shows the totem-pole or push-pull circuit used to drive the horizontal and vertical drive signals of the CVM:

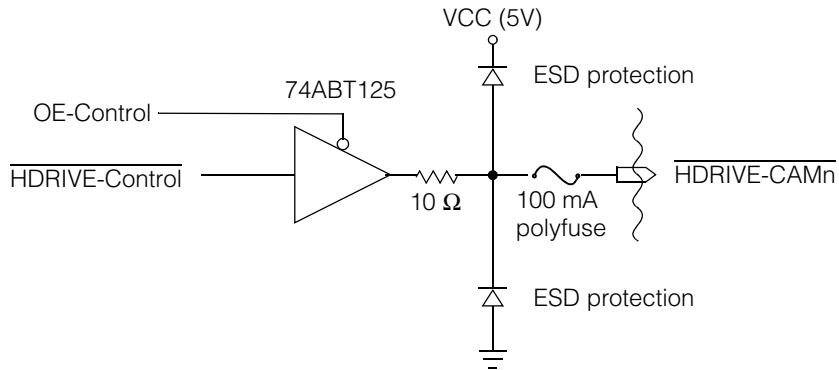


Figure 18. Analog camera control circuit

High-level and low-level outputs have TTL level characteristics guaranteed to drive a  $75\ \Omega$  terminated or high-impedance HDRIIVE or VDRIIVE camera input.

## Options for Connecting Cameras

Cognex cables to connect cameras to the MVS-8500 and MVS-8500e are of two types:

- Cables that connect directly to the 26-pin camera port on the frame grabber faceplate
- Cables that terminate in Hirose HR10A connectors

To connect Hirose HR10A type camera cables to the MVS-8500 and MVS-8500e, you must first connect a breakout cable. Table 14 describes the camera connection options for these cases.

	<b>+12V camera power input?</b>	<b>Cognex part number</b>	<b>Described in</b>
<b>Monochrome camera breakout cables, cameras only</b>	No	300-0232	<i>Monochrome Breakout Cables, Cameras Only</i> on page 55
		300-9116	
<b>Monochrome camera breakout cable with power input</b>	Yes, required	300-0230	<i>Monochrome Breakout Cable with Power Input</i> on page 56
<b>Color+Monochrome camera breakout cable</b>	No	300-0406	<i>Color+Monochrome Breakout Cable</i> on page 58

Table 14. Camera connection options

Cognex camera cables for use with the MVS-8500 and MVS-8500e are discussed in *Camera Cables for Supported Cameras* on page 60.

## Monochrome Breakout Cables, Cameras Only

The MVS-8500 and MVS-8500e frame grabbers support two camera-only breakout cables:

- A four-camera, camera-only breakout cable (Cognex part number 300-0232).
- A two-camera, camera-only breakout cable (Cognex part number 300-9116).

### Note

The two-camera cable is intended for the MVS-8500Le, which only supports 2 cameras. You can use it with any MVS-8500 or MVS-8500e frame grabber, but it only provides support for cameras 1 and 2.

To attach the breakout cable, follow these steps:

1. With power off to your PC and cameras, plug the camera breakout cable into the DB-26F connector on the frame grabber faceplate. Secure the breakout cable to the connector.
2. Identify the appropriate Hirose camera cables for your cameras from the *Supported Cameras* document delivered with your Cognex software package, as described in *Camera Cables for Supported Cameras* on page 60.
3. For the first camera, connect one end of the camera's cable to the Hirose connector on the camera, labeled DC IN/SYNC, or VIDEO/DC IN, or similar wording. Connect the cable's other end to the breakout cable branch labeled CAM 1.
4. To connect additional cameras, use the appropriate camera cable to connect the Hirose connector on each camera to the next available Hirose connector on the camera breakout cable.

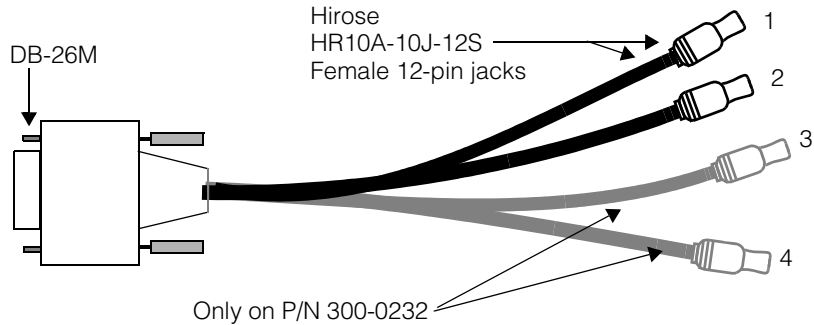


Figure 19. Camera-only breakout cables, PN 300-0232 and 300-9116

## Monochrome Breakout Cable with Power Input

The alternative breakout cable, Cognex part number 300-0230, provides four Hirose connector branches plus a fifth cable branch for camera power input. The fifth branch has a 5-pin female DIN connector that accepts an external power supply to provide the +12 V camera power.



**Note** You *must* connect a power supply to the cable when using this breakout cable.

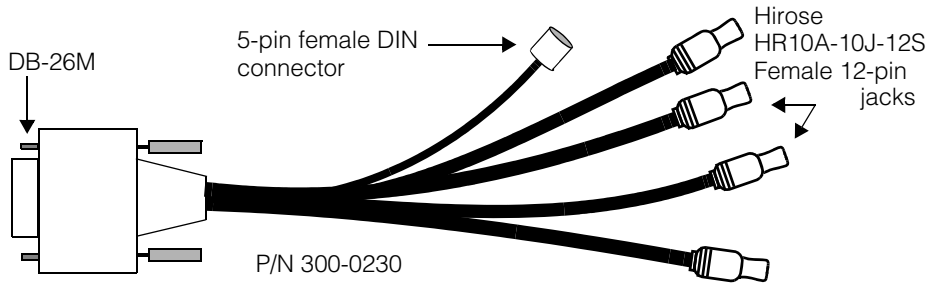


Figure 20. Camera breakout cable with power input, P/N 300-0230

Use Cognex power adapter 800-5728-1 with this cable, or an equivalent adapter that has the characteristics described in this section. The pin numbering for the 5-pin female DIN connector is shown in Figure 21, while the pinout for this connector is shown in Table 15.

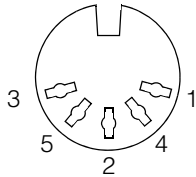


Figure 21. Pin numbering for DIN power connector on cable 300-0230

Pin on DIN connector	Signal
1	GND
2	NC
3	NC
4	NC
5	+12 V

Table 15. Pinout for power input DIN connector on cable 300-0230

**Note** Camera input power is not fused when using cable 300-0230.

## Choosing a Monochrome Breakout Cable

The camera-only breakout cable, 300-0232, can be used in the majority of cases, such as when connecting up to four Sony XC-HR50 cameras.

Use the power input breakout cable, 300-0230, when the rated power draw from all attached cameras exceeds the fuse limitations for jack J3 (MVS-8500) or J2 (MVS-8500e), as described in *Fuses* on page 52.

For example, if you are connecting two cameras that pull 750 mA each to camera ports 1 and 2, use the power input breakout cable and supply external camera power to the cable. This is because the combined draw of 1.5 A for camera channel 1+2 exceeds the suggested 1 A limit described in the *Fuses* section.

By contrast, if you connect one 750 mA camera to camera port 1 and a second 750 mA camera to camera port 3, you can use the camera-only breakout cable, since each camera pair (1+2 and 3+4) is within its 1 A limit.

## Color+Monochrome Breakout Cable

The color+monochrome breakout cable is Cognex part number 300-0406. To attach the breakout cable and cameras, follow these steps:

1. With power off to your PC and cameras, plug the camera breakout cable into the DB-26F connector on the frame grabber faceplate. Secure the breakout cable to the connector.
2. For the monochrome camera, use the appropriate camera cable for your camera as listed in the *Supported Cameras* document for your Cognex software package. (See *Camera Cables for Supported Cameras* on page 60.) Connect the monochrome camera's cable to the Hirose connector on the monochrome camera, and connect the other end of that cable to the breakout's Hirose HR-10 female jack. This connector is on the end of the 18-inch branch of the breakout cable.

- To connect the Sony DXC-390 color camera, connect the DB-9M connector from the cable to the RGB/SYNC connector on the camera. Then connect the Hirose HR-10 female plug to the DC IN/VBS OUT connector on the camera.

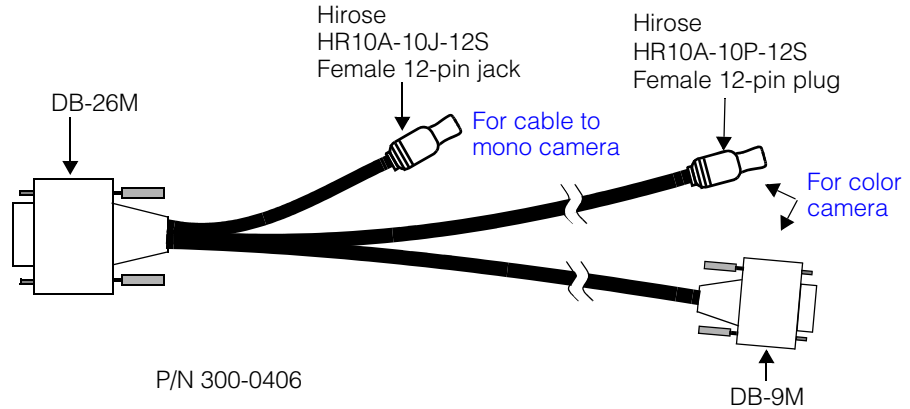


Figure 22. Color/monochrome breakout cable, P/N 300-0406

## Software Line Numbers

When using cable 300-0406, address the color camera as camera 0 in your Cognex software, and address the monochrome camera as camera 3.

## Hirose Connector Pinout

The pin numbering of the different types of Hirose HR10 connectors is explained in *Hirose HR10 Connector Description* on page 87.

Table 16 shows the pinout for all Hirose HR10 12-pin connectors, whether receptacle, plug, or jack, when used with monochrome analog video cameras.

Pin	Signal	Notes
1	Ground	
2	+12 VDC	
3	Video ground	
4	Video signal	
5	HD ground	

Table 16. Hirose HR10 12-pin connector pinout

Pin	Signal	Notes
6	HD (horizontal drive) signal	
7	VD (vertical drive) signal	
8	Camera control 2	Pins 8, 9, 10, and 11 might be used by different cameras for different purposes. The Cognex cable for each camera maps these pins correctly for that camera.
9	No connection	
10	Camera control 1	
11	No connection	Pin 11 is defined as a second +12V line in some implementations, but the Cognex breakout cables do not pass +12V on this line.
12	VD ground	

Table 16. Hirose HR10 12-pin connector pinout

## Camera Cables for Supported Cameras

The cameras supported on MVS-8500 and MVS-8500e frame grabbers, and the Cognex cables to use with each camera, are listed in the *Supported Cameras* document, which is included with the documentation for your Cognex software package.

For VisionPro, open VisionPro Help, then select the *Supported Cameras and Cables* entry in the help system menu.

For CVL, open the *CVL Supported Cameras* entry in the Cognex Documentation menu in the Windows Start -> Programs menu.

**Caution**

*Cameras must be connected using the Cognex cables shown in the Supported Cameras table that accompanies your Cognex software package. Using non-Cognex camera cables could damage your vision processor, your camera, or both.*

## Triggers, Strobes, and Parallel I/O Connector

The parallel I/O connector provides a connection point for I/O devices such as triggers, strobes, part rejection switches, status LEDs, and other parallel I/O devices. Each bidirectional line can be software-configured as an input or output line, independently of the other lines.

The MVS-8500 and the MVS-8500e provide sixteen independent bidirectional TTL lines, of which eight lines can be configured to control hardware triggers and strobes. The MVS-8500Le is an exception, in that it only supports 8 lines.

The sixteen lines are arranged as follows:

- Lines 0 through 7 are general purpose bidirectional lines. (Note that these lines are not available on the MVS-8500Le).
- The following lines can be software-enabled as hardware trigger lines:
  - For MVS-8504 and MVS-8504e, lines 8, 10, 12, and 14, one per camera channel.
  - For MVS-8501 and MVS-8500Le, line 8 for the currently active camera.
- The following lines can be software-enabled as hardware strobe control lines, one per camera channel.
  - For MVS-8504 and MVS-8504e, lines 9, 11, 13, and 15, one per camera channel.
  - For MVS-8501 and MVS-8500Le, line 9 for the currently active camera.
- If any of lines 8 through 15 are not used for dedicated trigger or strobe purposes, then that line is available for use as a general purpose bidirectional line.

This information is summarized in the following table:

Lines	PCI bus		PCI Express Bus	
	MVS-8501	MVS-8504	MVS-8500Le	MVS-8504e
General purpose bidirectional lines only	0 - 7, 10-15	0-7	10 - 15	0-7
Can be software configured as hardware triggers, otherwise can be used as general purpose I/O lines	8	8, 10, 12, 14	8	8, 10, 12, 14
Can be software configured for hardware strobes control, otherwise can be used as general purpose I/O lines	9	9, 11, 13, 15	9	9, 11, 13, 15

*Table 17. Triggers, Strobes and Parallel I/O Lines*

## Connecting Devices

Do not connect I/O devices directly to the MDR20 connector. To connect parallel I/O devices, use one of the following cable options to connect to an external I/O module. Then connect wires from triggers, strobes, and other devices to screw terminals on the I/O module.

- **TTL.** To connect TTL devices, use Cognex cable 300-0390 to connect to the Cognex TTL I/O module, part number 800-5818-1. Connect wires from triggers, strobes, and other devices to screw terminals on the I/O module. This cable and module combination is described in *TTL I/O Connection Module* on page 67.
- **Opto-Isolated.** To optically isolate all sixteen I/O lines from connected I/O devices, use Cognex cable 300-0389 to connect to the Cognex opto-isolated I/O module, part number 800-5712-3. This cable and module combination is described in *Full Opto Cable from MVS-8500 and MVS-8500e to Opto I/O Module* on page 72.
- **Half Opto, Half TTL.** Using cable 300-0399, eight I/O lines are brought out to a Phoenix terminal strip for direct connection of device wires, while the other eight lines connect through a Y-branch to the Cognex opto-isolated I/O module, part number 800-5712-3. This cable and module combination is described in *Half Opto Cable from MVS-8500 and MVS-8500e to Opto I/O Module* on page 74.

Be aware of the following when using the opto-isolated I/O module:

- The bidirectionality of all lines is lost at the opto-isolated module. The lines are either input lines or output lines.
- The opto-isolation circuitry adds a small delay to the firing of strobe pulses and the recognition of triggers by the MVS-8500 and MVS-8500e, as described in *Opto-Isolated I/O Module Adds Conversion Delay* on page 79.

### **Caution**

*Turn off power to any connected I/O devices before powering an MVS-8500 or MVS-8500e frame grabber on or off.*

## Pinout of Parallel I/O Connector

Parallel I/O devices are attached to an MVS-8500 and MVS-8500e through the front faceplate MDR20 connector. The pin numbering of the connector is shown in Figure 23. The orientation is looking straight into the connector with the frame grabber board held horizontally, facing the faceplate, with the DB-26 camera connector on the left of the MDR20 connector.

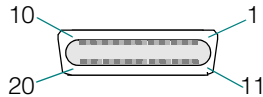


Figure 23. Pin numbering of parallel I/O connector

The pinout of the parallel I/O connector is shown in Table 18.

SW line	Pin	Signal Name at power-on	Signal names, when strobe & trigger are enabled			
			MVS-8504	MVS-8501	MVS-8504e	MVS-8500Le
	1	+5 V				
0	2	TTL_BI_0	GP I/O 0	GP I/O 0	GP I/O 0	Not Used
2	3	TTL_BI_2	GP I/O 2	GP I/O 2	GP I/O 2	Not Used
4	4	TTL_BI_4	GP I/O 4	GP I/O 4	GP I/O 4	Not Used
6	5	TTL_BI_6	GP I/O 6	GP I/O 6	GP I/O 6	Not Used
	6	GND				
8	7	TTL_BI_8	TRIG1	TRIG	TRIG1	TRIG
10	8	TTL_BI_10	TRIG2	GP I/O 10	TRIG2	GP I/O 10
12	9	TTL_BI_12	TRIG3	GP I/O 12	TRIG3	GP I/O 12
14	10	TTL_BI_14	TRIG4	GP I/O 14	TRIG4	GP I/O 14
	11	+5 V				
1	12	TTL_BI_1	GP I/O 1	GP I/O 1	GP I/O 1	Not Used
3	13	TTL_BI_3	GP I/O 3	GP I/O 3	GP I/O 3	Not Used
5	14	TTL_BI_5	GP I/O 5	GP I/O 5	GP I/O 5	Not Used

Table 18. Pinout of the MVS-8500 and MVS-8500e parallel I/O connector

SW line	Pin	Signal Name at power-on	Signal names, when strobe & trigger are enabled			
			MVS-8504	MVS-8501	MVS-8504e	MVS-8500Le
7	15	TTL_BI_7	GP I/O 7	GP I/O 7	GP I/O 7	Not Used
	16	GND				
9	17	TTL_BI_9	STROBE1	STROBE	STROBE1	STROBE
11	18	TTL_BI_11	STROBE2	GP I/O 11	STROBE2	GP I/O 11
13	19	TTL_BI_13	STROBE3	GP I/O 13	STROBE3	GP I/O 13
15	20	TTL_BI_15	STROBE4	GP I/O 15	STROBE4	GP I/O 15

Table 18. Pinout of the MVS-8500 and MVS-8500e parallel I/O connector

## Line Numbering

The correspondence between trigger lines, strobe lines, and camera channels is one-to-one.

Cognex vision processing software generally counts parallel I/O lines starting with line zero. For the MVS-8500 and MVS-8500e, the correspondence is one-to-one between software line numbers and signal name numbers, as shown in the TTL\_BI\_*n* signal names in Table 18. For example, the software command `enable (0)` would address the device connected to signal name TTL\_BI\_0 (on pin 2). The command `enable (3)` would address the device connected to signal name TTL\_BI\_3 (on pin 13), and so on.

Image acquisition can be software or hardware triggered. If hardware triggers are enabled on the MVS-8504 or MVS-8504e, a pulse from a trigger device connected to the TRIG1 line initiates an image acquisition on the camera connected to camera channel 1. If strobes are enabled, a strobe connected to the STROBE1 line is fired. Likewise, if enabled, a trigger pulse on TRIG2 acquires an image on camera channel 2 and if enabled fires the strobe on STROBE2; and so on.

If hardware triggering is enabled on the MVS-8501 or MVS-8500Le, a pulse from a trigger device connected to the TRIG line initiates an image acquisition on the currently active camera, and if strobes are enabled, fires a strobe connected to the STROBE line. Cameras are made currently active with software commands.



To summarize:

- Trigger and strobe lines are numbered from 1, and correspond to camera port numbers on the MVS-8504 and MVS-8504e.
- Bidirectional parallel I/O lines are numbered from zero, and correspond one-to-one with software line numbers.
- If strobes and triggers are disabled, their associated lines become general purpose I/O lines. Enabling strobes and/or triggers changes their associated lines from general purpose I/O lines to strobe and trigger lines.

## Parallel I/O Circuit Logic

Figure 24 shows the bidirectional parallel I/O (TTL\_BI) circuit.

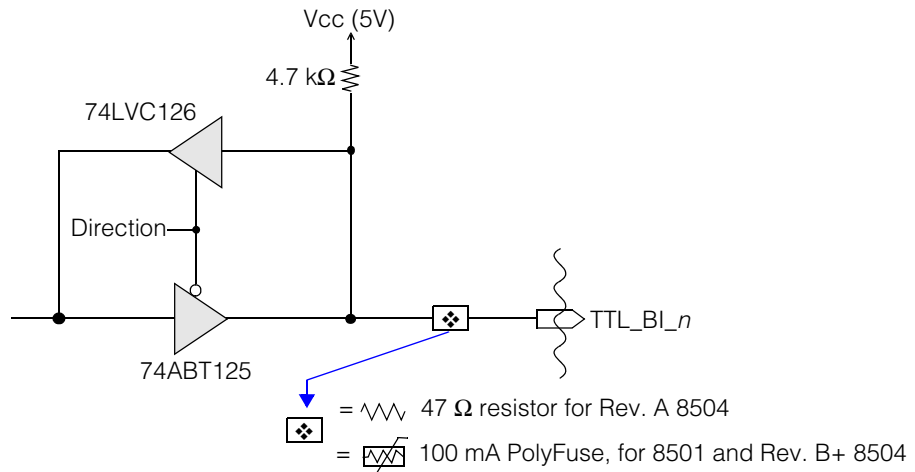


Figure 24. Bidirectional parallel I/O circuit

## Notes on Parallel I/O Circuitry

The special use of some of the sixteen lines as hardware trigger or strobe lines is not enabled at power-on. To use a line's dedicated function as hardware trigger or strobe line, that function must be enabled per line with software commands.

At power-on, all sixteen bidirectional lines are configured as input lines. For any single line, output functionality must be enabled with software commands.

At power-on, all lines are pulled high by an internal pull-up resistor. By contrast, on other Cognex frame grabbers, parallel I/O lines are pulled low or allowed to float.

Keep in mind the following points about the MVS-8500 and MVS-8500e parallel I/O circuitry when connecting I/O devices:

- The minimum allowable Vcc is 4.75 V.
- If *direction* is high, the circuit is an input; if *direction* is low, an output.
- In output mode, the 74ABT125 drives the TTL\_BI\_n signal high and low. That is, it is not an open-collector output.

## When Configuring As Outputs

When a bidirectional line is configured as an output line, including lines configured as strobe outputs:

- When driving TTL high (VOH minimum = 2.0 V), the maximum current drive is 25 mA (IOH = -25 mA).
- When driving TTL low (VOL minimum = 0.8 V), the maximum current drive is 32 mA (IOL = 32 mA).

## When Configuring As Inputs

The following notes apply when using any MVS-8500 or MVS-8500e bidirectional parallel I/O lines configured as input lines, including lines configured as trigger inputs:

- Signals must be stable for at least 280 ns to insure that the signal's transition causes an interrupt. If you are using the external opto-isolated module, take into account the small delay added as described in *Opto-Isolated I/O Module Adds Conversion Delay*.
- When connecting a TTL signal to an input line, always drive the line high or low, either to 5 V or to 0 V. Do not leave the line unconnected. For example, do not use a switch that provides the high TTL signal on one side and disconnects the line on the other.
- When connecting an opto-isolated signal to an input line, the opto-isolation circuitry must prevent the line from being disconnected.
- Unused lines can remain disconnected.

## TTL I/O Connection Module

The TTL I/O connection module, part number 800-5818-1, connects to the MDR20 I/O port of the MVS-8500 and MVS-8500e using Cognex cable 300-0390. The I/O module serves as a pass-through connection point for TTL I/O signal lines originating on the frame grabber. The I/O connection module does not process the signals in any way, and does not require power.

### Cable from MVS-8500 or MVS-8500e to TTL I/O Module

Cognex cable 300-0390 connects an MVS-8500 or MVS-8500e to a TTL I/O connection module. The MDR20 connector connects to the frame grabber; the DB-25M connects to the I/O module. Figure 25 depicts the cable.

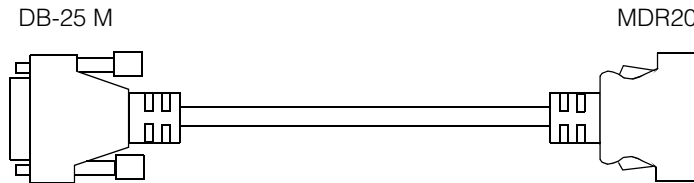


Figure 25. Cable 300-0390

When using cable 300-0390, connect your parallel I/O devices to the TTL I/O module, not to the cable. See diagram of the TTL I/O module in Figure 26 on page 69.

Table 19 shows the pinout of cable 300-0390.

Pin on DB-25M	Pin on MDR20	Signal Name at power-on	Signal on MVS-8504 and MVS-8504e, if enabled in software	Signal on MVS-8501 and MVS-8500Le, if enabled in software
1	7	TTL_BI_8	TRIG1	TRIG
2	17	TTL_BI_9	STROBE1	STROBE
3	8	TTL_BI_10	TRIG2	
4	18	TTL_BI_11	STROBE2	
5	9	TTL_BI_12	TRIG3	
6	19	TTL_BI_13	STROBE3	

Table 19. Pinout of cable 300-0390 (■ = Not present on MVS-8500Le)

Pin on DB-25M	Pin on MDR20	Signal Name at power-on	Signal on MVS-8504 and MVS-8504e, if enabled in software	Signal on MVS-8501 and MVS-8500Le, if enabled in software
7	10	TTL_BI_14	TRIG4	
8	20	TTL_BI_15	STROBE4	
9	6	GND		
10	NC	NC		
11	NC	NC		
12	NC	NC		
13	NC	NC		
14	2	TTL_BI_0		
15	12	TTL_BI_1		
16	3	TTL_BI_2		
17	13	TTL_BI_3		
18	4	TTL_BI_4		
19	14	TTL_BI_5		
20	5	TTL_BI_6		
21	15	TTL_BI_7		
22	16	GND		
23	NC	NC		
24	NC	NC		
25	NC	NC		

Table 19. Pinout of cable 300-0390 (  = Not present on MVS-8500Le)

## Layout of TTL I/O Connection Module

Figure 26 shows the layout of the TTL I/O connection module, part number 800-5818-1.

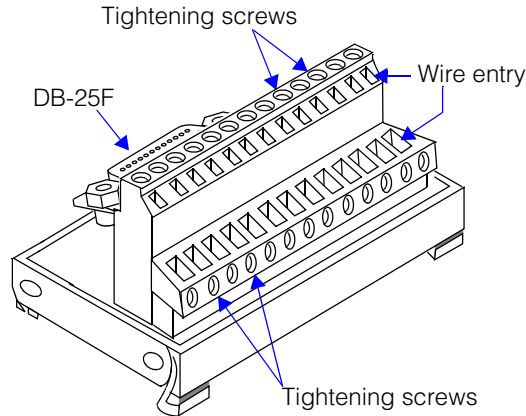


Figure 26. TTL I/O connection module

## Specifications of TTL I/O Connection Module

The following table lists the mechanical and electrical specifications for the external TTL I/O connection module:

Specification	Description
Dimensions	3.5 in (width) X 1.75 in (depth) X 2.25 in (height) 8.9 cm (width) X 4.4 cm (depth) X 5.7 cm (height)
Mounting	DIN 3 rail mountable
Field Wiring Size	26 to 12 AWG
Terminal Block Torque	Maximum 0.8 (7) N-M (in-lbf)
Environmental	Operating Temperature: 0 to 50° C Storage Temperature: -20 to 85° C Relative Humidity: 5 to 95 percent non-condensing

Table 20. TTL I/O connection module specifications

## TTL I/O Connection Module Terminals

Figure 35 shows the pin numbering for the TTL I/O connection module.

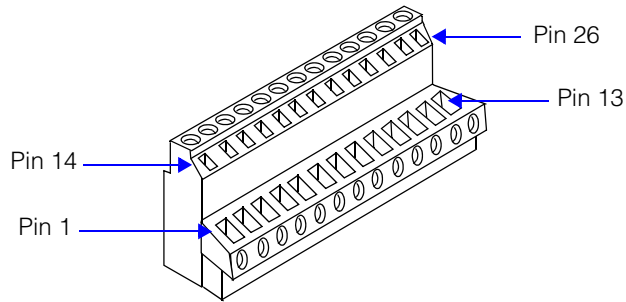



Figure 27. Pin numbering for TTL I/O connection module

Table 21 lists the pinout for the TTL I/O connection module.

Pin	Signal Name with the MVS-8504 and MVS-8504e	Signal Name with the MVS-8501 and MVS-8500Le	Label
1	TTL_BI_8 or TRIG1	TTL_BI_8 or TRIG	T1
2	TTL_BI_9 or STROBE1	TTL_BI_9 or STROBE	S1
3	TTL_BI_10 or TRIG2	TTL_BI_10	T2
4	TTL_BI_11 or STROBE2	TTL_BI_11	S2
5	TTL_BI_12 or TRIG3	TTL_BI_12	T3
6	TTL_BI_13 or STROBE3	TTL_BI_13	S3
7	TTL_BI_14 or TRIG4	TTL_BI_14	T4
8	TTL_BI_15 or STROBE4	TTL_BI_15	S4
9	GND	GND	G
10	NC	NC	NC
11	NC	NC	NC
12	NC	NC	NC
13	NC	NC	NC

Table 21. Pinout of TTL I/O connection module (      = Not present on MVS-8500Le)

Pin	Signal Name with the MVS-8504 and MVS-8504e	Signal Name with the MVS-8501 and MVS-8500Le	Label
14	TTL_BI_0	TTL_BI_0	B0
15	TTL_BI_1	TTL_BI_1	B1
16	TTL_BI_2	TTL_BI_2	B2
17	TTL_BI_3	TTL_BI_3	B3
18	TTL_BI_4	TTL_BI_4	B4
19	TTL_BI_5	TTL_BI_5	B5
20	TTL_BI_6	TTL_BI_6	B6
21	TTL_BI_7	TTL_BI_7	B7
22	GND	GND	G
23	NC	NC	NC
24	NC	NC	NC
25	NC	NC	NC
26	NC	NC	NC

Table 21. Pinout of TTL I/O connection module (  = Not present on MVS-8500Le)

## Opto-Isolated I/O Connection Module

The external opto-isolated I/O module, part number 800-5712-3, connects to the MDR20 I/O port of the MVS-8500 and MVS-8500e using Cognex cable 300-0389 or 300-0399. The I/O module serves as an opto-isolated connection point for parallel I/O signal lines originating on the frame grabber.

Capabilities of the opto-isolated I/O module when used with the MVS-8500 and MVS-8500e include:

- Eight optically isolated input lines (four on the MVS-8500Le)
- Eight optically isolated output lines (four on the MVS-8500Le)
- Signal voltage, 5 V to 24 V DC at up to 24 mA
- LEDs to indicate the state of each line
- Powered from the MVS-8500 or MVS-8500e
- DIN standard rail mounting

**Note** At power-on, the MVS-8500 and MVS-8500e configures all sixteen parallel I/O lines by default as input lines. Even when being used with the opto-isolated I/O module, the eight lines that the module presents as output lines must be configured with software commands as output lines.

## Full Opto Cable from MVS-8500 and MVS-8500e to Opto I/O Module

Cognex cable 300-0389 connects an MVS-8500 or MVS-8500e to the opto-isolated I/O module. The MDR20 connector connects to the frame grabber; the DB-26M connects to the I/O module. Figure 28 depicts the cable.

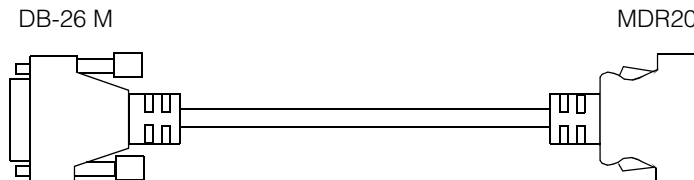


Figure 28. Cable 300-0389

When using cable 300-0389, connect your parallel I/O devices to the opto-isolated I/O module, not to the cable. See diagram of the opto-isolated I/O module in Figure 31 on page 77.



Table 22 shows the pinout of cable 300-0389.

Pin on DB-26M	Pin on MDR20	Signal Name with the MVS-8504 and MVS-8504e	Signal Name with the MVS-8501 and MVS-8500Le
1	2	TTL_BI_0	TTL_BI_0
2	12	TTL_BI_1	TTL_BI_1
3	3	TTL_BI_2	TTL_BI_2
4	13	TTL_BI_3	TTL_BI_3
5	7	TTL_BI_8 or TRIG1	TTL_BI_8 or TRIG
6	8	TTL_BI_10 or TRIG2	TTL_BI_10
7	9	TTL_BI_12 or TRIG3	TTL_BI_12
8	10	TTL_BI_14 or TRIG4	TTL_BI_14
9	4	TTL_BI_4	TTL_BI_4
10	14	TTL_BI_5	TTL_BI_5
11	5	TTL_BI_6	TTL_BI_6
12	15	TTL_BI_7	TTL_BI_7
13	17	TTL_BI_9 or STROBE1	TTL_BI_9 or STROBE
14	18	TTL_BI_11 or STROBE2	TTL_BI_11
15	19	TTL_BI_13 or STROBE3	TTL_BI_13
16	20	TTL_BI_15 or STROBE4	TTL_BI_15
17	1	+5 VDC	+5 VDC
18	11	+5 VDC	+5 VDC
19	6	GND	GND
20	16	GND	GND
21-26	n/a	—	—

Table 22. Pinout of cable 300-0389 (  = Not present on MVS-8500Le)

## Half Opto Cable from MVS-8500 and MVS-8500e to Opto I/O Module

Cognex cable 300-0399 connects eight of the MVS-8500 and MVS-8500e I/O lines to the opto-isolated I/O module, and brings the other eight lines out to a Phoenix 10-pin terminal strip. The MDR20 connector connects to the frame grabber; the DB-26M connects to the opto-isolated I/O module. Figure 29 depicts the cable.

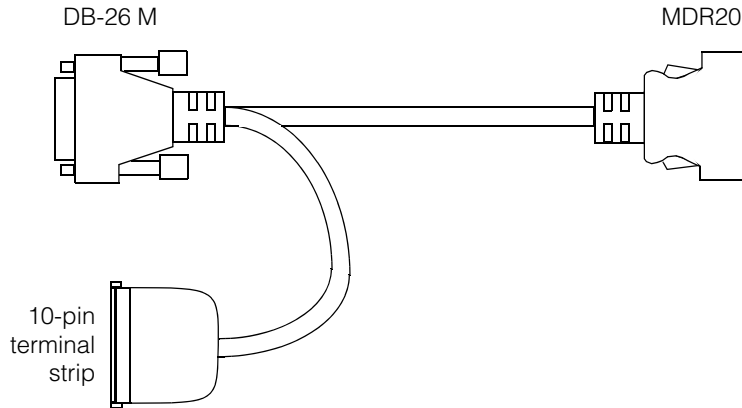


Figure 29. Cable 300-0399

This cable allows you to connect trigger lines directly, without incurring the small delay added by opto-isolation, but at the same time, to take advantage of opto-isolation for strobe lines. This cable provides:

- Four general use opto-isolated input lines
- Four opto-isolated output lines that can be configured as strobe lines
- Four bidirectional TTL lines that can be configured as trigger lines
- Four general use bidirectional TTL lines

Table 22 shows the pinout of cable 300-0399.

MDR20 pin	Signal name at power-on	Signal, if enabled		DB-26M pin	Terminal strip pin
		on 8504 & 8504e	on 8501 & 8500Le		
2	TTL_BI_0			1	
12	TTL_BI_1			2	
3	TTL_BI_2			3	
13	TTL_BI_3			4	
17	TTL_BI_9	STROBE1	STROBE	13	
18	TTL_BI_11	STROBE2		14	
19	TTL_BI_13	STROBE3		15	
20	TTL_BI_15	STROBE4		16	
1	+5 VDC			17	
11	+5 VDC			18	
16	GND			19	
7	TTL_BI_8	TRIG1	TRIG		1
8	TTL_BI_10	TRIG2			2
9	TTL_BI_12	TRIG3			3
10	TTL_BI_14	TRIG4			4
4	TTL_BI_4				5
14	TTL_BI_5				6
5	TTL_BI_6				7
15	TTL_BI_7				8
6	GND				9

Table 23. Pinout of cable 300-0399 (■ = Not present on MVS-8500Le)

The terminal strip branch of cable 300-0399 has a 10-position Phoenix connector, with male screw terminal strip attached. Connect wires from your parallel I/O devices to the screw terminal strip. Figure 30 shows the pin numbering of the terminal strip.

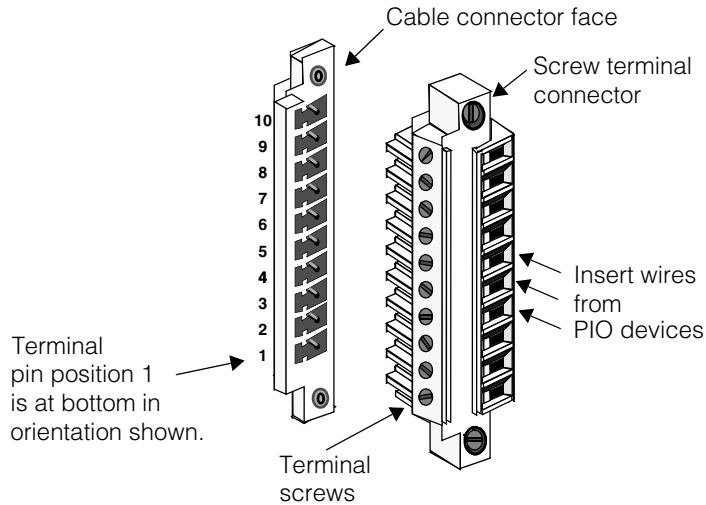
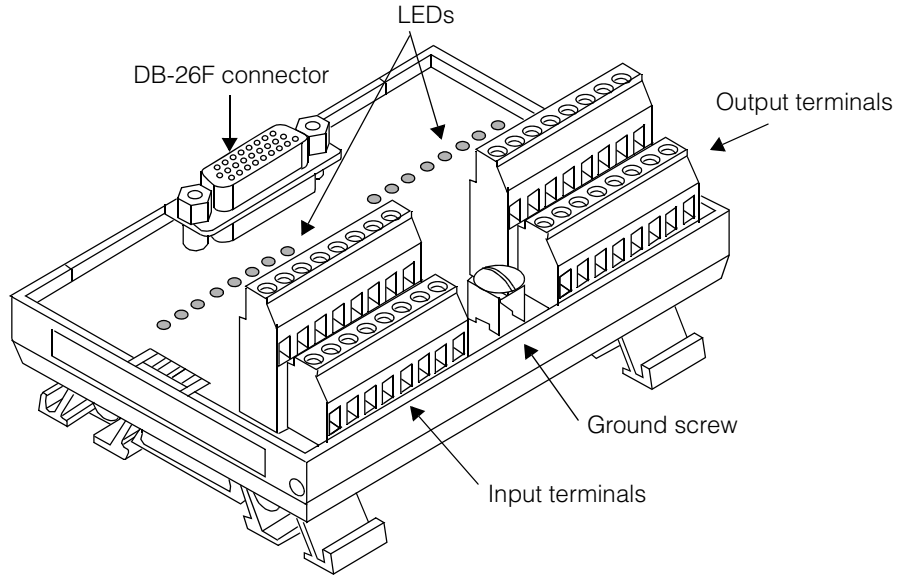


Figure 30. Screw terminal end of cable 300-0399

For the pinout of the opto-isolated I/O module when used with cable 300-0399, see Table 26 on page 84 and Table 28 on page 86.

## Layout of Opto-Isolated I/O Connection Module

Figure 31 shows the layout and major components of the opto-isolated I/O module.



*Figure 31. Parts layout of opto-isolated I/O module*

The DB-26F connector provides a connection from the MVS-8500 and MVS-8500e through either the full opto or half opto cables.

The input and output screw terminals provide connection points for connecting wires from parallel I/O devices.

The LEDs indicate the availability of power to the input and output lines.

## Specifications of Opto-Isolated I/O Module

The following table lists the mechanical and electrical specifications for the opto-isolated I/O module:

Specification	Description
Dimensions	4.75 in (width) X 3.25 in (depth) X 2.31 in (height) 1.2 cm (width) X 8.3 cm (depth) X 5.8 cm (height)
Mounting	DIN 3 rail mountable
Operating Voltage (Field Side)	5 V to 24 V DC
Power	+5 V DC, supplied from the MVS-8500 or MVS-8500e
Maximum Output Current	24 mA (sink or source)
ON State Voltage Drop	0.8 V DC @ 10 mA, 2.6 V DC @ 24 mA
OFF State Leakage Current	100 $\mu$ A maximum @ 15 V DC
Output Delay	ON: 6 $\mu$ Sec OFF: 130 $\mu$ Sec @ 5 mA 95 $\mu$ Sec @ 10 mA; 85 $\mu$ Sec @ 15 mA
Input Resistance	~1000 Ohms
Input State Current	ON: 3.5 to 24 mA OFF: 500 $\mu$ A
Input Delay	ON: 30 $\mu$ Sec @ 3.5 mA; 8 $\mu$ Sec @ 15 mA OFF: 45 $\mu$ Sec @ 3.5 mA; 80 $\mu$ Sec @ 15 mA
Field Wiring Size	26 to 12 AWG
Terminal Block Torque	Maximum 0.8 (7) N-M (in-lbf)
Environmental	Operating Temperature: 0 to 50° C Storage Temperature: -20 to 85° C Relative Humidity: 5 to 95 percent non-condensing

Table 24. Opto-isolated I/O module specifications

## Opto-Isolated I/O Module LED Numbering

The opto-isolated I/O module has silk-screened labels identifying the LEDs for each input and output plus/minus connection pair. The labels identify the connection points using zero-based numbers, IN 0 through IN 7, and OUT 0 through OUT 7.

To map these labels to the signal lines coming from the MVS-8500 or MVS-8500e, see *Opto-Isolated I/O Module Input Terminals* on page 82 and *Opto-Isolated I/O Module Output Terminals* on page 85.

## Opto-Isolated I/O Module Adds Conversion Delay

The opto-isolated I/O module converts all digital TTL signals from the MVS-8500 or MVS-8500e into opto-isolated signal pairs. The opto-isolation circuitry of the I/O module adds a delay of 100 to 300 microseconds, compared to a pure TTL signal. For comparison, the response time of a typical TTL signal is about 1 microsecond.

An output device will receive its signal 100 to 300 microseconds slower when connected to the opto-isolated I/O module than when connected to the TTL I/O module.

A signal from an input device will be delayed from reaching the MVS-8500 or MVS-8500e by 100 to 300 microseconds, compared to the same device going through the TTL I/O module.

A delay of this small magnitude is not visible to the naked eye, but may have a cumulative effect when multiplied over many rapid image acquisitions. Take this delay into account when calculating your maximum image processing throughput if you plan to use the opto-isolated I/O module.

## Opto-Isolated I/O Module Wiring Methods

Figure 32 shows the methods for connecting input and output signal lines to the respective terminal plugs of the opto-isolated I/O module.

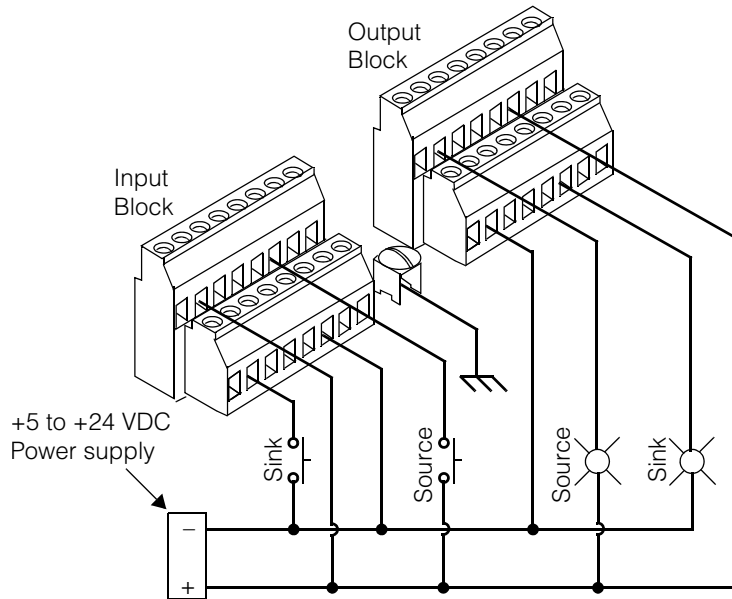


Figure 32. Wiring methods for connecting to the external I/O module

For both input and output signal lines, connect the source side of the signal to a positive-numbered terminal and the sink side to a negative-numbered terminal.



## Opto-Isolated I/O Module Circuit Logic

Figure 33 shows a typical input schematic to help you determine how to wire your input devices to the opto-isolated I/O module.

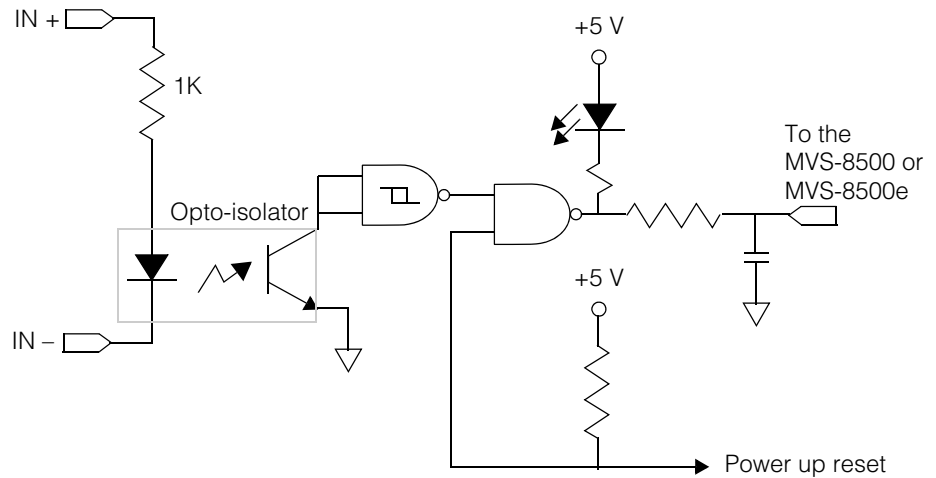


Figure 33. Typical input schematic for opto-isolated I/O module

The following figure shows a typical output schematic to help you determine how to wire your output devices to the opto-isolated I/O module.

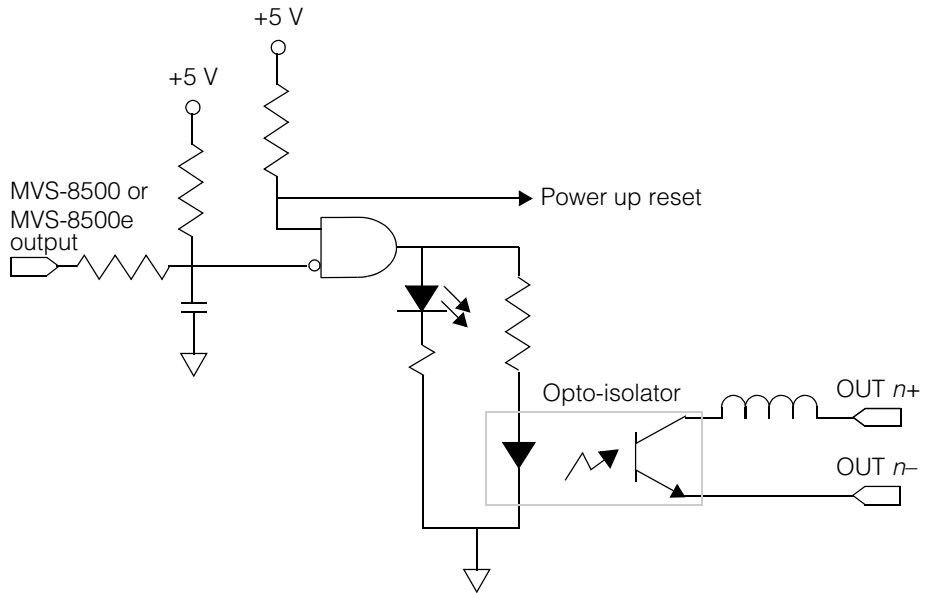


Figure 34. Typical output schematic for external I/O module

## Opto-Isolated I/O Module Input Terminals

Figure 35 shows the pin numbering for the input terminal block of the opto-isolated I/O module.

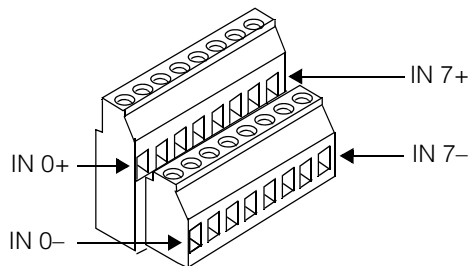


Figure 35. Pin numbering for input terminal block

## Input Block Pinout with Full Opto Cable

Table 25 lists the pinout for the input block of the opto-isolated I/O module when using the all opto option and cable 300-0389.

Signal from MVS-8500 or MVS-8500e	Pin Number	Device Connection when using cable 300-0389	
		With MVS-8504 & MVS-8504e	With MVS-8501 & MVS-8500Le
TTL_BI_0	IN 0+	Any input device (no longer bidirectional)	Any input device (no longer bidirectional)
	IN 0-		
TTL_BI_1	IN 1+	Any input device (no longer bidirectional)	Any input device (no longer bidirectional)
	IN 1-		
TTL_BI_2	IN 2+	Any input device (no longer bidirectional)	Any input device (no longer bidirectional)
	IN 2-		
TTL_BI_3	IN 3+	Any input device (no longer bidirectional)	Any input device (no longer bidirectional)
	IN 3-		
TTL_BI_8	IN 4+	Trigger 1 if enabled or any input device	Trigger for active camera, if enabled, or any input device
	IN 4-		
TTL_BI_10	IN 5+	Trigger 2 if enabled or any input device	Any input device (no longer bidirectional)
	IN 5-		
TTL_BI_12	IN 6+	Trigger 3 if enabled or any input device	Any input device (no longer bidirectional)
	IN 6-		
TTL_BI_14	IN 7+	Trigger 4 if enabled or any input device	Any input device (no longer bidirectional)
	IN 7-		

Table 25. Pinout for input block of opto-isolated I/O module with 300-0389 (■ = Not present on MVS-8500Le)

## Input Block Pinout with Half Opto Cable

Table 26 lists the pinout for the input block of the opto-isolated I/O module when using the half opto, half TTL option and cable 300-0399, connecting from the MVS-8504, MVS-8501 and MVS-8504e (none of the lines described in Table 26 are present on the MVS-8500Le).

<b>TTL signal from MVS-8504, MVS-8501 and MVS-8504e</b>	<b>Pin Number</b>	<b>Device Connection when using cable 300-0399</b>
TTL_BI_0	IN 0+	Any input device (no longer bidirectional)
	IN 0-	
TTL_BI_1	IN 1+	Any input device (no longer bidirectional)
	IN 1-	
TTL_BI_2	IN 2+	Any input device (no longer bidirectional)
	IN 2-	
TTL_BI_3	IN 3+	Any input device (no longer bidirectional)
	IN 3-	
	IN 4	No connection
	IN 5	No connection
	IN 6	No connection
	IN 7	No connection


Table 26. Pinout for input block of opto-isolated I/O module with 300-0399

## Opto-Isolated I/O Module Output Terminals

### Output Block Pinout with Full Opto Cable

Table 27 lists the pinout for the output terminal block of the opto-isolated I/O module when using the all opto option and cable 300-0389.

Signal from MVS-8500 or MVS-8500e	Pin Number	Device connection when using cable 300-0389	
		With MVS-8504 & MVS-8504e	With MVS-8501 & MVS-8500Le
TTL_BI_4	OUT 0+	Any output device (no longer bidirectional)	Any output device (no longer bidirectional)
	OUT 0-		
TTL_BI_5	OUT 1+	Any output device (no longer bidirectional)	Any output device (no longer bidirectional)
	OUT 1-		
TTL_BI_6	OUT 2+	Any output device (no longer bidirectional)	Any output device (no longer bidirectional)
	OUT 2-		
TTL_BI_7	OUT 3+	Any output device (no longer bidirectional)	Any output device (no longer bidirectional)
	OUT 3-		
TTL_BI_9	OUT 4+	Strobe 1 if enabled or any output device	Strobe for the active camera, if enabled, or any output device
	OUT 4-		
TTL_BI_11	OUT 5+	Strobe 2 if enabled or any output device	Any output device (no longer bidirectional)
	OUT 5-		
TTL_BI_13	OUT 6+	Strobe 3 if enabled or any output device	Any output device (no longer bidirectional)
	OUT 6-		
TTL_BI_15	OUT 7+	Strobe 4 if enabled or any output device	Any output device (no longer bidirectional)
	OUT 7-		

Table 27. Pinout for output block of opto-isolated I/O module with 300-0389 (  = Not present on MVS-8500Le)

## Output Block Pinout with Half Opto Cable

Table 27 lists the pinout for the output terminal block of the opto-isolated I/O module when using the half opto, half TTL option and cable 300-0399.

Signal from MVS-8500 or MVS-8500e	Pin Number	Device connection when using cable 300-0399	
		With MVS-8504 & MVS-8504e	With MVS-8501 & MVS-8500Le
	OUT 0	No connection	
	OUT 1	No connection	
	OUT 2	No connection	
	OUT 3	No connection	
TTL_BI_9	OUT 4+	Strobe 1 if enabled or any output device	Strobe for active camera, if enabled, or any output device
	OUT 4-		
TTL_BI_11	OUT 5+	Strobe 2 if enabled or any output device	Any output device (no longer bidirectional)
	OUT 5-		
TTL_BI_13	OUT 6+	Strobe 3 if enabled or any output device	Any output device (no longer bidirectional)
	OUT 6-		
TTL_BI_15	OUT 7+	Strobe 4 if enabled or any output device	Any output device (no longer bidirectional)
	OUT 7-		

Table 28. Pinout for output block of opto-isolated I/O module with 300-0399

Figure 36 shows the pin numbering for the output terminal block of the opto-isolated I/O module.

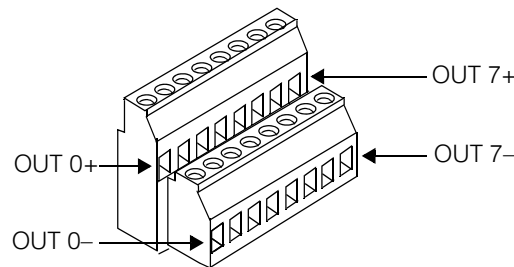


Figure 36. Pin numbering for output terminal block

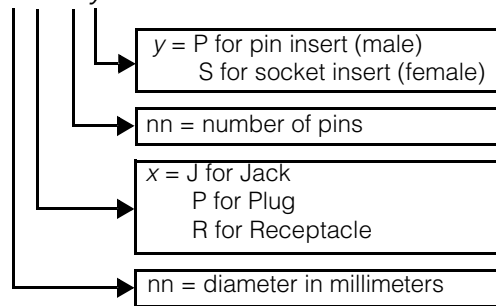
## Hirose HR10 Connector Description

The Hirose HR10 12-pin connector is used in many industrial camera and frame grabber products.

The HR10 connector series has a push-pull locking mechanism and gold-plated contacts. The HR10A series is the same except for silver-plated contacts and an optional threaded coupling as an alternative to push-pull locking.

Hirose HR10 part numbers are interpreted as follows:

HR10-10x-12y



In the Hirose HR10 series, plugs mate into either jacks or receptacles.

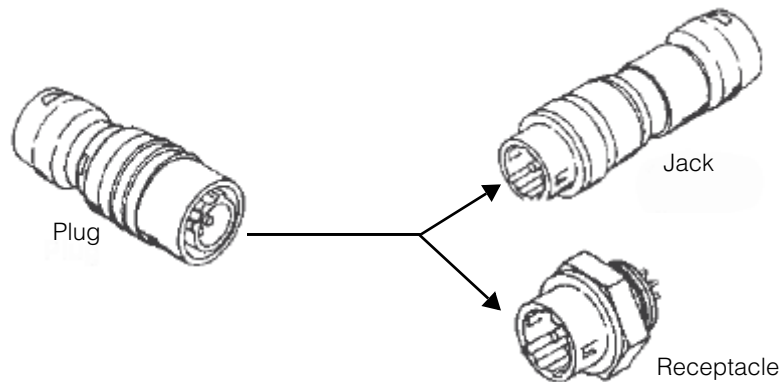


Table 29 differentiates plugs, jacks, and receptacles.

Characteristic	Plug	Jack	Receptacle
Has outer hood around pin cylinder	yes	no	no
May have pin insert (male pins)	yes	yes	yes
May have socket insert (female pins)	yes	yes	yes
Cable-mounted	yes	yes	no
Panel-mounted	no	no	yes

Table 29. HR10 Plugs, Jacks, and Receptacles

**Note** Plugs, jacks, and receptacles can ALL be either male or female.

## Pin Numbering of HR10 Jacks and Plugs

Figure 37 shows the pin numbering for the HR10-10J-12S jacks on the 300-0230, 300-0232, and 300-9116 monochrome and 300-0406 monochrome/color breakout cables. These jacks are used to connect to monochrome cameras.

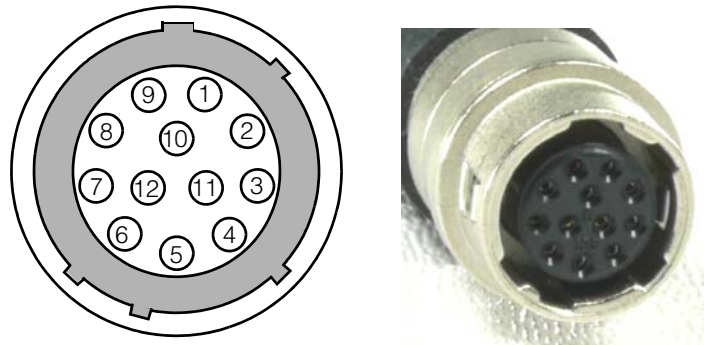
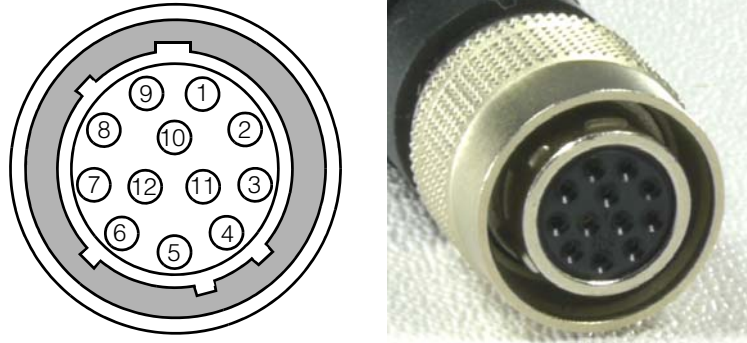


Figure 37. Hirose HR10-10J-12S jack pin numbering



Figure 38 shows the pin numbering for HR10-10P-12S plug on the 300-0406 monochrome/color breakout cable. This plug is used to connect the DC IN/VBS OUT connector on the Sony DXC-390 color camera.



*Figure 38. Hirose HR10-10P-12S plug pin numbering*



# Index

## Numerics

300-0175 16  
300-0176 24  
300-0230 55, 56, 57  
300-0232 55, 56  
300-0389 33, 35, 43, 62, 72, 73, 83, 85, 86  
300-0390 33, 34, 43, 62, 67  
300-0391 16, 47  
300-0399 33, 37, 43, 62, 74, 75, 76, 84, 86  
300-0406 24, 55, 58, 59  
    camera software addresses for 59  
66 MHz PCI 13  
800-5712-3 33, 35, 62, 72  
800-5818-1 33, 62, 67, 69

## A

address  
    camera, with cable 300-0406 59  
AMD Athlon 12

## B

bidirectional TTL 35  
    circuit diagram 65  
    no longer bidirectional 36, 37  
breakout cable  
    choosing between mono cables 58  
    color+monochrome 55, 58, 59  
    mono with power input 55, 56, 57  
    mono, cameras only 55, 56

## C

cable  
    full opto 72  
    half opto 74  
    to TTL I/O module 67  
camera  
    addresses for cable 300-0406 59  
    JAI CV-A1 19, 20  
    Sony DXC-390 22, 23, 24, 32, 59  
    Sony XC-55 24, 25  
    Sony XC-75 emulation 25  
    Sony XC-ES50 25, 26  
    Sony XC-HR50 27  
    Sony XC-HR57 27  
    Sony XC-HR58 27  
    Sony XC-HR70 27  
    Sony XC-ST50 28  
    Teli CS8541D 29, 30, 32  
    Toshiba IK-53V 30  
camera control tool  
    JAI, for CV-A1 19, 20  
caution  
    electrostatic discharge can  
        damage 15  
    hot plugging not supported 32, 33  
    must use Cognex cables 60  
    no PC power while connecting  
        cameras and devices 18  
    same ground potential with external  
        I/O module 35, 37  
CCT 19, 20  
CE mark 49  
chip set 12  
circuit diagram  
    bidirectional TTL 65  
    opto-isolated I/O module, inputs 81  
    opto-isolated I/O module, outputs 82  
color camera 22, 42

- component location
  - on MVS-8500 45, 46
- connecting
  - opto-isolated devices 35, 36
  - parallel I/O devices 33
  - TTL devices 34
- connector
  - DB-25 34
  - DB-26F 52, 56, 58
  - DC IN/SYNC 56
  - DC IN/VBS 23
  - DC IN/VBS OUT 59
  - DIN-5 on breakout cable 56, 57
  - Hirose 32, 55, 56, 59
  - RGB/SYNC 59
  - VIDEO OUT 23
- Council Directives 49
- CS8541D 29, 30, 32
- CV-A1 19, 20

## D

- DB-25 connector 34
- DB-26F connector 47, 52, 56, 58
- DC IN/SYNC connector 56
- DC IN/VBS connector 23
- DC IN/VBS OUT connector 59
- DXC-390 22, 23, 24, 32, 59

## E

- E-DONPISHA 25, 27
- electrical specifications 50
- electromagnetic
  - compatibility standard 49

- electrostatic sensitivity standards 49
- emulation
  - of Sony XC-75 25
- environmental requirements 48
- European
  - community standards 49
  - representative 49

## F

- factory default
  - settings for Sony XC-ES50 26
  - settings for Sony XC-ST50 28
- FCC class A 49
- full opto cable 72
- fuses
  - camera input not fused with cable 300-0230 57
  - PolySwitch 52

## H

- half opto cable 74
- Hirose 32, 55, 56, 59
  - description of HR10 connector 87
  - pin numbering 88, 89
- hot plugging
  - not supported 32, 33
- humidity 48

## I

- IK-53V 30
- immediate mode triggering 44

installing  
 opto-isolated devices 35, 36  
 parallel I/O devices 33  
 TTL devices 34

## J

JAI  
 camera control tool 19, 20  
 CV-A1 19, 20

## L

LED numbering  
 on opto I/O module 79

LEDs on circuit board 45

line numbering  
 bidirectional TTL lines 64  
 trigger and strobe lines 64  
 when using 300-0406 cable 59

## M

MDR20 34, 35, 37, 43, 47, 52, 62, 63, 67,  
 72, 73, 74, 75

MVS-8500  
 component location 45, 46

MVS-8501  
 compared to MVS-8504 41, 61  
 power requirements 50

MVS-8504  
 power requirements 50

## O

opto-isolated I/O module 35, 36, 62, 72,  
 74, 76  
 circuit diagrams 81, 82  
 delay added by 79  
 features 72  
 input block 82, 83, 84  
 layout 77  
 LED numbering 79  
 output block 85, 86  
 overview 72  
 specifications 78  
 wiring methods 80

## P

part numbers  
 300-0175 16  
 300-0176 24  
 300-0230 55, 56, 57  
 300-0232 55, 56  
 300-0389 33, 35, 43, 62, 72, 73, 83,  
 85, 86  
 300-0390 33, 34, 43, 62, 67  
 300-0391 16, 47  
 300-0399 33, 37, 43, 62, 74, 75, 76,  
 84, 86  
 300-0406 24, 55, 58, 59  
 800-5712-3 33, 35, 62, 72  
 800-5818-1 33, 62, 67, 69

PC  
 requirements 12

PCI  
 66 MHz 13

PCI bus  
 interface 40

PCI Express bus  
 interface 40

PCI-X 13, 14, 40

Pentium 12

- pin numbering
  - breakout cable's power connector 57
  - camera input port 52
  - Hirose connector 88, 89
  - input block on opto-isolated I/O module 82
  - output block on opto-isolated I/O module 86
  - parallel I/O connector 63
  - TTL I/O connection module 70

- pinout
  - breakout cable's power connector 57
  - cable 300-0389 73
  - cable 300-0390 67
  - cable 300-0399 75
  - camera input port 53
  - Hirose connector 59
  - opto I/O module input block with 300-0389 83
  - opto I/O module input block with 300-0399 84
  - opto I/O module output block with 300-0389 85
  - opto I/O module output block with 300-0399 86
  - parallel I/O connector 63
  - TTL I/O connection module 70

- PolySwitch fuse
  - resetting 52

- power requirements
  - MVS-8501 50
  - MVS-8504 50

- progressive scan 27, 30, 40

## R

- requirements
  - environmental 48
  - for host PC 12

- RGB/SYNC connector 59

## S

- S102
  - switch on Sony DXC-390 23

- safety standards 49

- serial cable 19, 20

- Sony

- DXC-390 22, 23, 24, 32, 59
- XC-55 24, 25
- XC-75 emulation 25
- XC-ES50 25, 26
- XC-HR50 27
- XC-HR57 27
- XC-HR58 27
- XC-HR70 27
- XC-ST50 28

- specifications

- electrical, of MVS-8500 50
- environmental, inside host PC 48
- MVS-8500 41
- opto-isolated I/O module 78
- TTL I/O connection module 69

- standards

- electromagnetic compatibility 49
- electrostatic sensitivity 49
- European community 49
- safety 49

- strobe 33, 36, 37, 43, 44, 47, 60, 61, 62, 64, 65, 74, 85, 86

- switch

- S102 23

- switch settings

- for Sony XC-55 25
- for Sony XC-HR series 27
- for Sony XC-ST50 camera family 28
- for Teli CS8541D 29, 30
- for Toshiba IK-53V 30

**T**

- Teli
  - CS8541D 29, 30, 32
- temperature 48
- Toshiba
  - IK-53V 30
- trigger 33, 36, 37, 43, 44, 47, 60, 61, 62, 64, 65, 74, 83
  - immediate mode 44
- trigger shutter 25, 27
- TTL
  - bidirectional 35
  - bidirectional, circuit diagram 65
  - cable 67
  - no longer bidirectional 36, 37
- TTL I/O connection module 67, 69, 70
  - specifications 69

**V**

- VIA 12
- VIDEO OUT connector 23

**X**

- XC-55 24, 25
- XC-75 emulation 25
- XC-HR50 27
- XC-HR57 27
- XC-HR58 27
- XC-HR70 27

## ■ Index

---



2 rue René Laennec 51500 Taissy France  
Fax: 03 26 85 19 08, Tel : 03 26 82 49 29

Email: [hvssystem@hvssystem.com](mailto:hvssystem@hvssystem.com)  
Site web : [www.hvssystem.com](http://www.hvssystem.com)