



HVS.
PRECONISATEUR DE SOLUTIONS DEPUIS 1986

2 rue René Laennec 51500 Taissy France
Fax: 03 26 85 19 08, Tel : 03 26 82 49 29

E-mail: hvssystem@hvssystem.com
Site web : www.hvssystem.com

Suspension System CS-3000

Flexible, easy to assemble, ergonomic

New flexibility in operation and appearance: the Bernstein CS-3000

Variability in system configuration, advanced design and absolute ease of assembly are the main requirements of system builders when specifying control enclosure suspension systems. Bernstein have set new standards here with the new CS-3000: A modern industrial design, excellent ergonomics and multiple component combinations create an innovative system solution on a modular principle.

- Long service life and safe operation thanks to anodised aluminium tubes
- Clean lines, thanks to smooth transitions between the tube and system components (very easy to clean/photo 1)
- Coated tube fastening screws for sealing the thread holes and secure connections
- Relative appearance and connection of narrow profiles thanks to the possibility of reducing the cross section from square to round tube
- Modular upgrading of the couplings possible (also subsequently), e.g. with adapter for narrow housing or angle adapter
- Protection IP 65
- Well designed ergonomics for simple and virtually fatigue free operation
- An ideal solution from a single source with Bernstein control housings

Thanks to the particularly easy way the CS-3000 components combine, assembly is quick and simple, which for the system builder means great time savings and cost reductions:

- In addition to the 'clamping' connection of the tube fastening screws: Sixfold positive connection is achieved via component design in the tube attachment area (optional additional safety screw for vertical mounting is not required/photo 2)
- One person can install the complete system
- Stepless adjustment of system alignment by means of the tube fastening screws
- Readjustment possible at any time without disassembling the complete system (photo 3)
- Cable and assembly access covers on all deflection points in the system
- Tubes machined at one end so that users can cut to required length (machining templates supplied)
- Different tube lengths offer the possibility of variability in assembly
- Variable torque (stiffness) of all rotating components (coarse and fine adjustment)



Smooth combination through an intelligent design for easy-cleaning



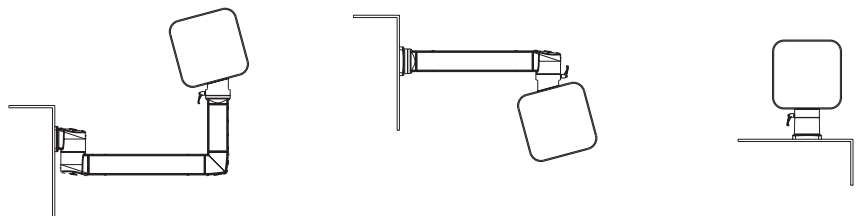
Additional connection security through component design at the mounting area

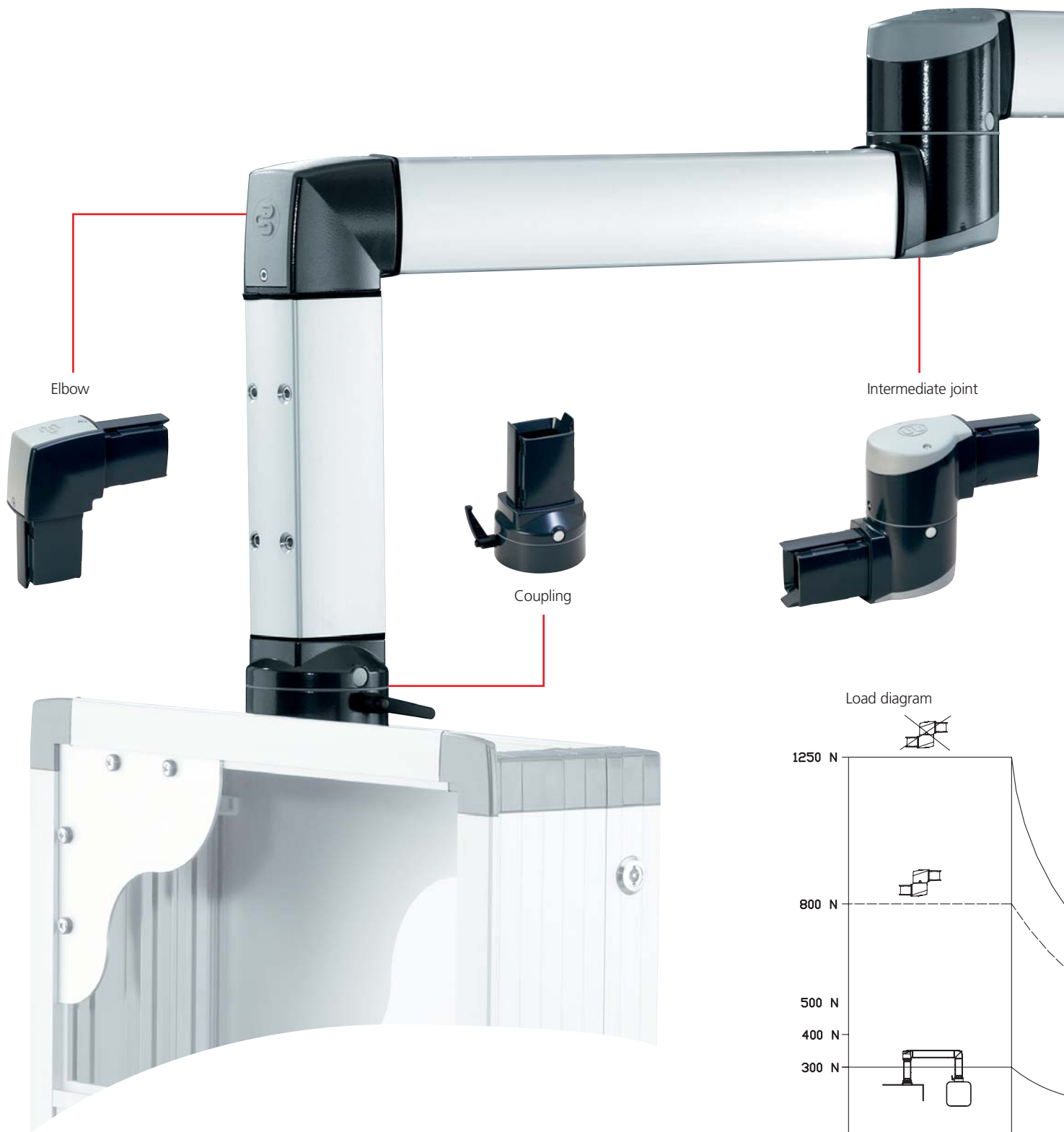


User friendly adjustment at any time – without disassembling the complete system

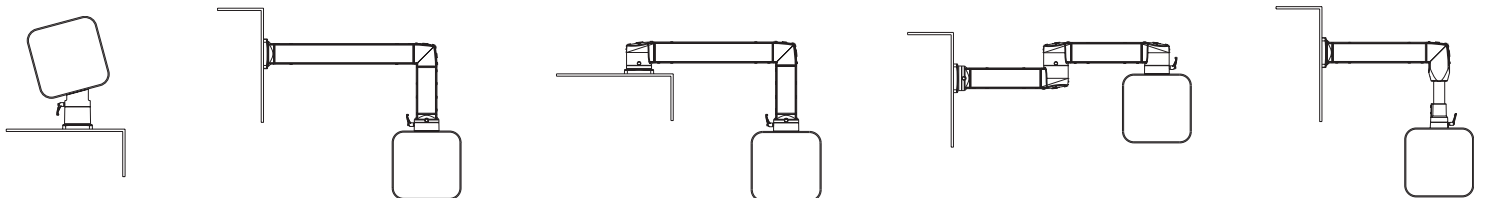
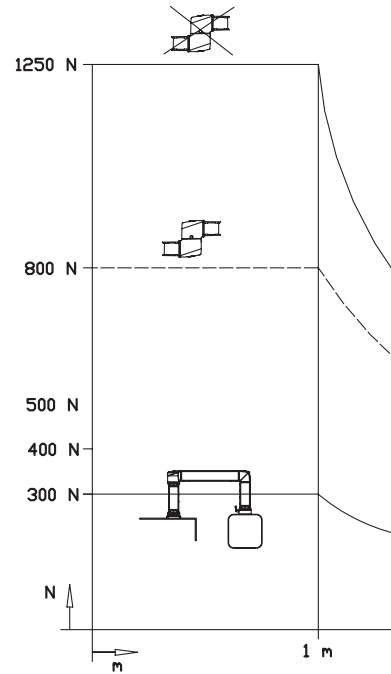
Application examples, suspension system CS-3000

The numerous modules and components of the CS-3000 offer the ultimate in system flexibility. Even the most angular systems for plant and machines can be created. This versatility is unique on the market!





Load diagram

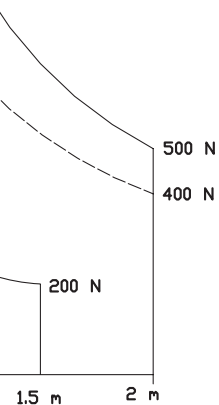
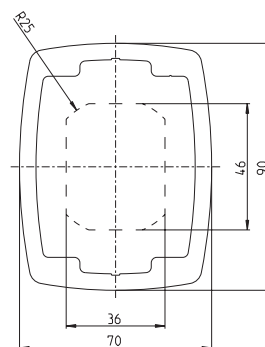
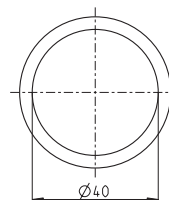




Set-up joint



Tube cross sections

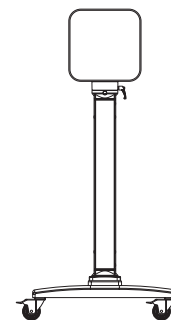
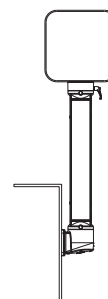
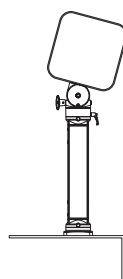
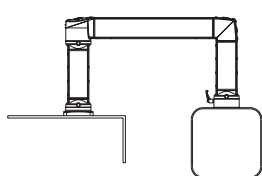
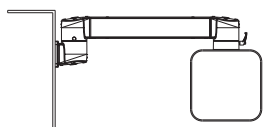


Materials

- Tubes: Anodised aluminium
- Components: Die-cast aluminium
- Component cover plates: Polyamide
- Bearings: POM
- Seals: Neoprene

Colours

- Support system components: RAL 7016 (anthracite grey)
- Connecting tubes: silver (natural) anodised



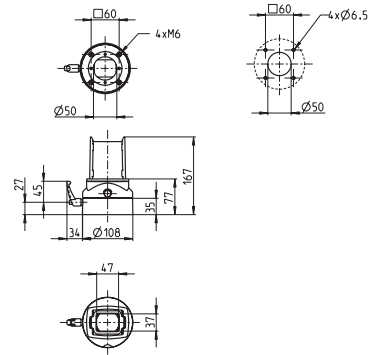
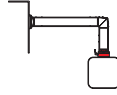




Coupling

Rotation angle 300° with stop.
(Adapter 101.5300.011 is required
for connection to profiles < 120 mm)

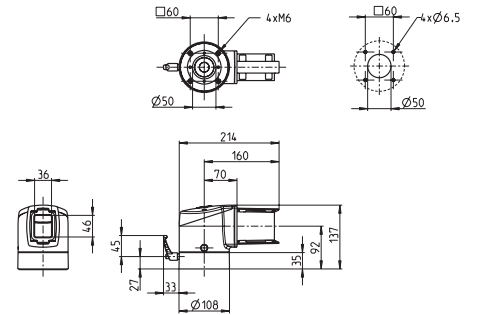
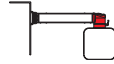
Art. No. 101.5300.001



Elbow coupling

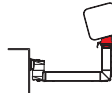
Rotation angle 300° with stop,
assembly opening incl.
screw-fit plastic cover

Art. No. 101.5300.002

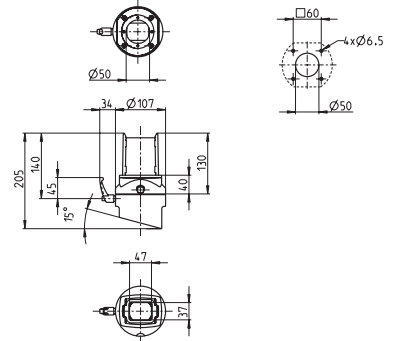
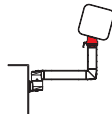


Angled coupling 15° A/B
Rotation angle 300° with stop,
fixed incline of 15°
Variant A inclined back
Variant B inclined forward

A = Art. No. 101.5300.013

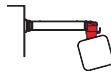


B = Art. No. 101.5300.014

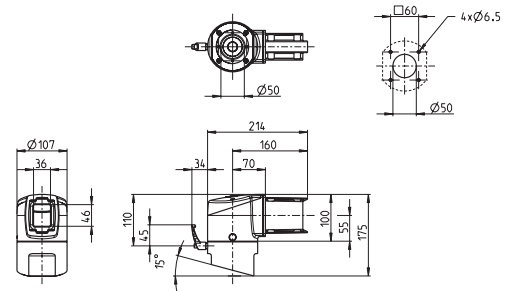
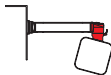


Angled elbow coupling 15° A/B
Rotation angle 300° with stop,
fixed incline of 15°, assembly opening
incl. screw-fit plastic cover
Variant A inclined back
Variant B inclined forward

A = Art. No. 101.5300.015

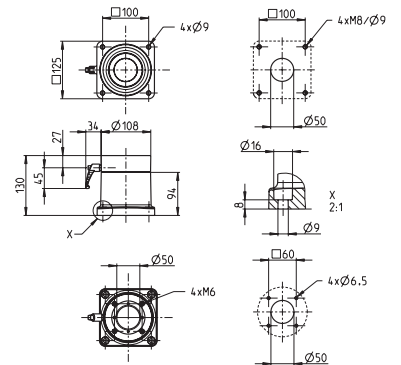


B = Art. No. 101.5300.016



Stand coupling
Rotation angle 300° with stop

Art. No. 101.5300.017

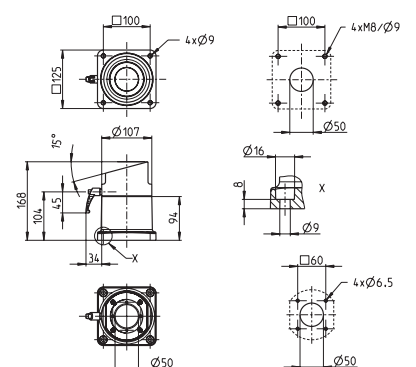


Angled stand coupling 15° A/B
Rotation angle 300° with stop,
fixed incline of 15°
Variant A inclined back
Variant B inclined forward

A = Art. No. 101.5300.018



B = Art. No. 101.5300.019

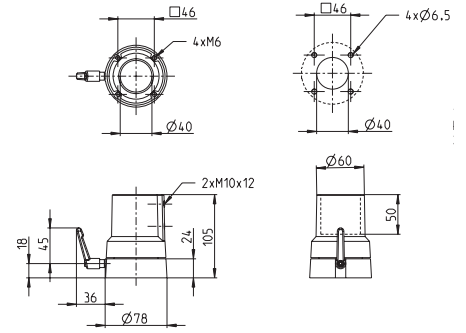
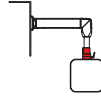




Coupling 48

Rotation angle 300° with stop, only compatible with the 48 mm round tube, the adapter 980.6520.000 is required for connecting to the 80 mm profile

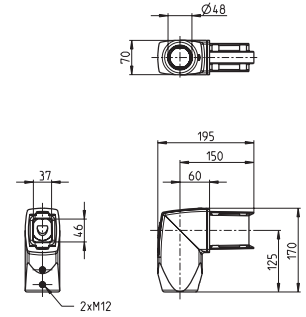
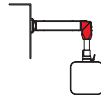
Art. No. 101.3050.000



Reducing elbow RD 48

Reducing elbow from rect. tube to 48 mm round tube

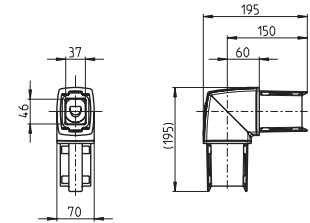
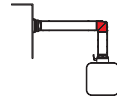
Art. No. 101.5300.020



Elbow

with assembly opening incl. screw-fit plastic cover

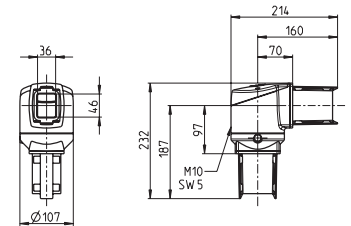
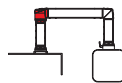
Art. No. 101.5300.008



Rotary elbow

Rotation angle 300° with stop, assembly opening incl. screw-fit plastic cover

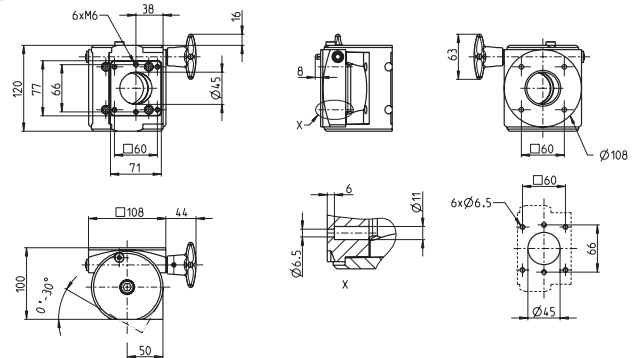
Art. No. 101.5300.009



Angled adapter (steplless 30°)

May only be used in conjunction with couplings, steplless incline adjustable up to 30°, not compatible with 101.3050.000, max. load-bearing capacity 300 N

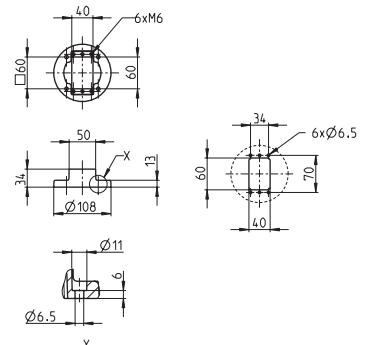
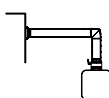
Art. No. 101.5300.012



Adapter (narrow profile)

May only be used in conjunction with couplings. (For connection to Bernstein profiles < 120 mm)

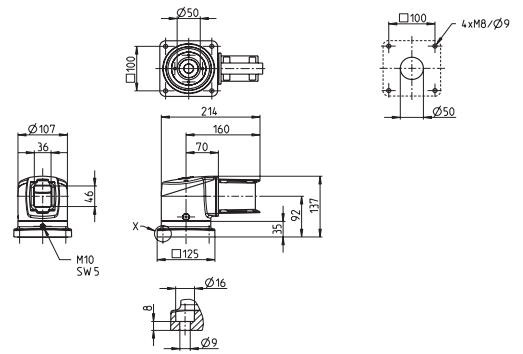
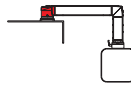
Art. No. 101.5300.011





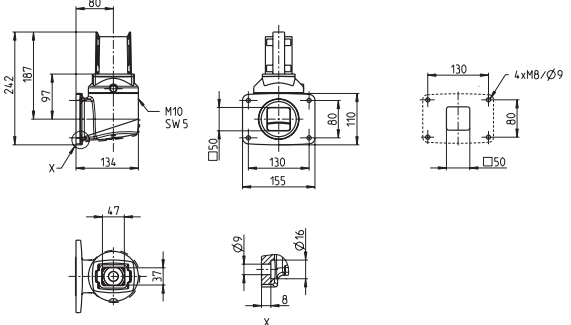
Set-up joint
Rotation angle 300° with stop,
assembly opening
incl. screw-fit plastic cover

Art. No. 101.5300.003



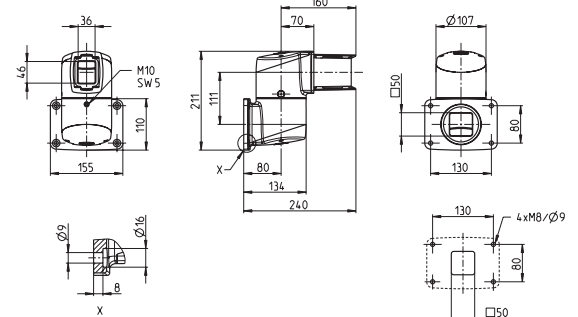
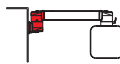
Vertical wall joint S
Rotation angle 300° with stop,
assembly opening
incl. screw-fit plastic cover

Art. No. 101.5300.006



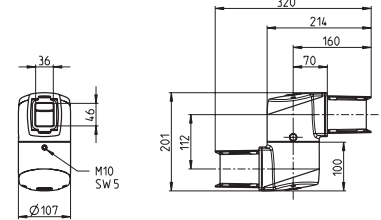
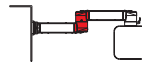
Horizontal wall joint W
Rotation angle 300° with stop,
2 assembly openings
incl. screw-fit plastic covers

Art. No. 101.5300.007



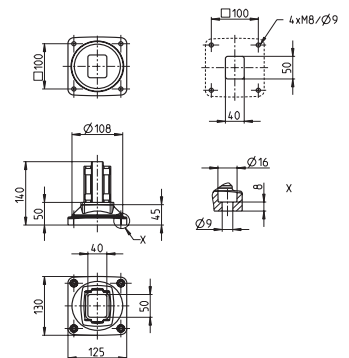
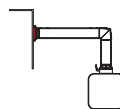
Intermediate joint W
Rotation angle 300° with stop,
incl. screw-fit plastic covers

Art. No. 101.5300.004



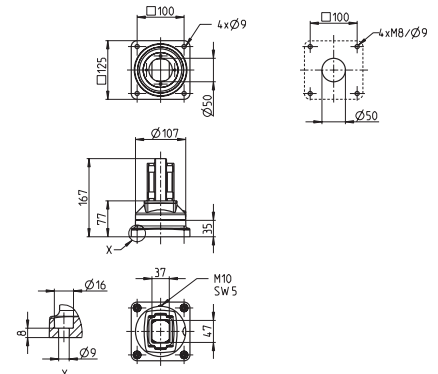
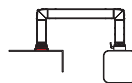
Base/wall bracket

Art. No. 101.5300.010



Rotary base bracket
Rotation angle 300° with stop

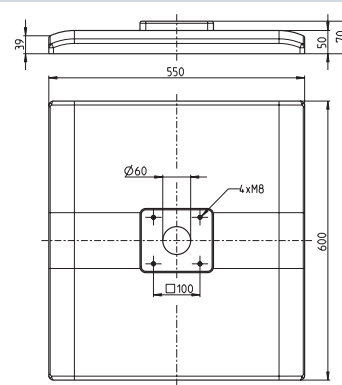
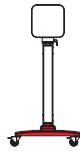
Art. No. 101.5300.005





Free-standing base
Base plate for setting up
a free-standing pedestal.
Compatible with 101.5300.010
and 101.5300.005

Art. No. 101.5300.021



Angled aluminium tubes



Standard lengths (machined both ends)
(available from stock)

- Length 70 x 90 x 250 mm
- Length 70 x 90 x 500 mm
- Length 70 x 90 x 750 mm
- Length 70 x 90 x 1000 mm
- Length 70 x 90 x 1250 mm
- Length 70 x 90 x 1500 mm
- Length 70 x 90 x 1750 mm
- Length 70 x 90 x 2000 mm

- Art. No. 952.4500.001
- Art. No. 952.4500.002
- Art. No. 952.4500.003
- Art. No. 952.4500.004
- Art. No. 952.4500.005
- Art. No. 952.4500.006
- Art. No. 952.4500.007
- Art. No. 952.4500.008

Tubes machined at one end
(machining templates supplied)

- Length 70 x 90 x 1000 mm Art. No. 952.4500.009
- Length 70 x 90 x 2000 mm Art. No. 952.4500.010

If one of our standard lengths is not sufficient, we can also supply tubes machined at one end. Simply shorten to length you require and use the supplied template to machine the shortened end.

Express Service:
Order by 12 noon
for next day delivery!
Prices on request

Machined tubes in the length of your require

We would also be pleased to machine tubes for you in the exact length you require (price and delivery time on request). Or use our Express Service.



Round aluminium tubes

Round aluminium tubes in different lengths.
We would also be pleased to make tubes in the length that you require (Prices and delivery time on request)

- Length 48 x 4 x 250 mm
- Length 48 x 4 x 500 mm
- Length 48 x 4 x 750 mm
- Length 48 x 4 x 1000 mm

- Art. No. 952.1400.000
- Art. No. 952.1401.000
- Art. No. 952.1402.000
- Art. No. 952.1403.000



Screw cover set

Plastic covers for sealing the tube fastening screws RAL 9006.
Kit contains 50 pcs.

Art.-Nr. 980.6590.000



Rotation angle limitation

Retro-fittable rotation limitation kit for CS-3000 coupling and joint components. Adjustable in increments of 13.7°.
Contains 10 steel balls ø 10 mm

Art. No. 980.5296.000



Industrial castors

Castor set, consisting of 4 steering castors with locking brake.
Load-bearing capacity of each castor 50 kg

Art. No. 980.8012.800



Apparatus castors

Castor set, consisting of 2 steering castors and 2 steering castors with total locking for free-standing bases. Load-bearing capacity of each castor 70 kg

Art. No. 980.8015.300



Levelling feet

Height-adjustable feet (4 ea.) for free-standing bases

Art. No. 980.8012.900



Floor anchoring

Floor anchoring set for the large stand

Art. No. 980.8014.100



Adapter plate

Required with the coupling RD 48 for connection to CC-4000 profile 80

Art. No. 980.6520.000

More safety and ergonomics during operation and observation

Modular control housing



■ CC-4000



■ CC-4000 SL



■ CC-3000

Industrial workstation



■ WS-6000



PRECONISATEUR DE SOLUTIONS DEPUIS 1988

2 rue René Laennec 51500 Taissy France
Fax: 03 26 85 19 08, Tel : 03 26 82 49 29

E-mail: hvssystem@hvssystem.com
Site web : www.hvssystem.com

International Headquarters

Germany

Bernstein AG

Tieloser Weg 6
D-32457 Porta Westfalica
Phone +49 571 793-0
Fax +49 571 793-555
info@de.bernstein.eu

Denmark

Bernstein A/S

Sindalsvej 30
DK-8240 Risskov
Phone +45 7020 0522
Fax +45 7020 0177
info@dk.bernstein.eu

Italy

Bernstein S.r.l.

Via del pero 12a/b
I-24040 Levate (BG)
Phone +39 035 4549037
Fax +39 035 4549647
info@it.bernstein.eu

Austria

Bernstein GmbH

Kurze Gasse 3
A-2544 Leobersdorf
Phone +43 2256 62070-0
Fax +43 2256 62618
info@at.bernstein.eu

Switzerland

Bernstein (Schweiz) AG

Steinhaldenstrasse 14
CH 8954 Geroldswil
Phone +41 44 775 71 71
Fax +41 44 775 71 72
info@ch.bernstein.eu

France

Bernstein S.A.R.L.

Tieloser Weg 6
D-32457 Porta Westfalica
Phone +33 1 64 66 32 50
Fax +33 1 64 66 10 02
info@fr.bernstein.eu

Netherlands

Bernstein BV

Tieloser Weg 6
D-32457 Porta Westfalica
Phone +31 314 366088
Fax +31 314 361256
info@nl.bernstein.eu

Great Britain

Bernstein Ltd (UK)

Unit 1, Westgate Park
Tintagel Way
Westgate
Aldridge
West Midlands
WS9 8EX
Phone +44 1922 744999
Fax +44 1922 457555
info@uk.bernstein.eu

China

Bernstein Safe Solutions (Taicang) Co., Ltd.

North 38, Dongting Road,
Taicang City
Development Area,
Taicang 215400
Jiangsu Province, P.R. China
Phone +86 512 81608180
Fax +86 512 81608181
info@bernstein-safesolutions.cn

Hungary

Bernstein Kft.

Fehér utca 10
1106 Budapest
Phone +36 1 434 2295
Fax +36 1 434 2299
info@hu.bernstein.eu

www.bernstein.eu