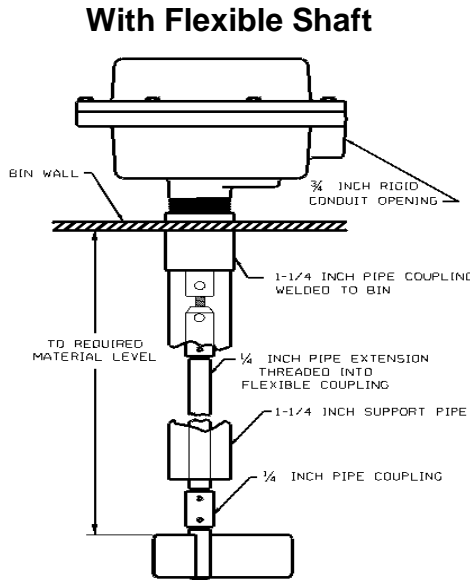


#### Top Mount

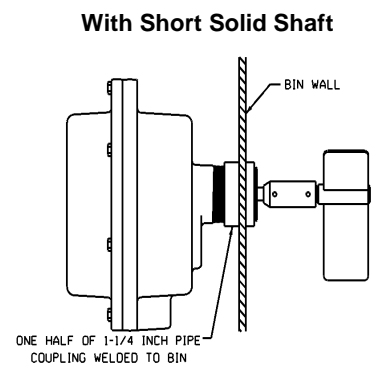
1. Locate and cut hole in top of bin to fit outside diameter of 1 1/4" pipe coupling (1.950).
2. Position coupling halfway into bin and weld.
3. Assemble the GR series body to the coupling and turn unit until conduit opening is in desired location.
4. Add 1/4" extension pipe to desired length with standard 1/4" coupling on bottom end.
5. Cut 1 1/4" support pipe approximately 4" longer than overall length of 1/4" pipe shaft when used with GRFC-1 flexible coupling.
6. Insert 1 1/4" pipe into coupling and tighten.
7. Insert paddle into 1/4" coupling and drill holes for lock pins



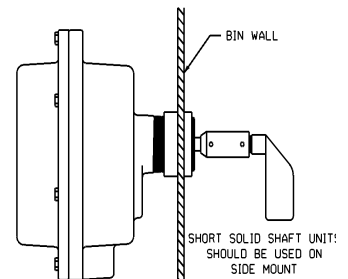
- \* If material is extremely heavy, only top mounting is recommended.
- \* Short solid shaft should be used when mounting on side of bin for low or intermediate levels.

#### Side Mount

1. Locate and cut hole into side of bin to fit outside diameter of 1 1/4" pipe coupling.
2. Weld one half of a standard 1 1/4" pipe coupling to the bin wall flush with inside of bin.
3. Assemble the GR series body to the coupling and turn unit until conduit opening is in desired location.
4. Screw paddle into place and replace lock pin.
5. Shaft and paddle should be shielded in low level mounting when subject to material flow.
6. For side mounting, the GRSS-1 solid coupler is recommended.

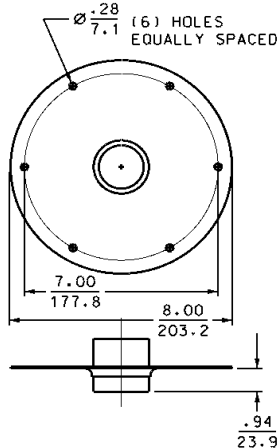


#### With Insertable Paddle



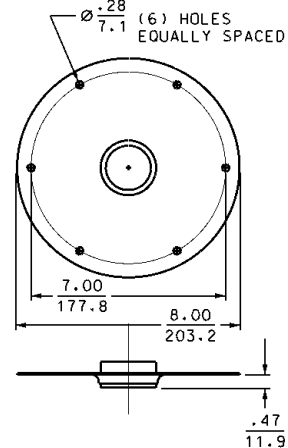
#### Mounting Plates

Mounting plates are necessary when a completely assembled unit is to be mounted on a curved or flate bin wall - from the outside. A 5 1/2" hole is cut in the bin. Six bolt holes are then drilled around the hole to match the mounting plate. The plate, with the unit attached, is then bolted in place. All mounting plates are available in carbon and stainless steel.



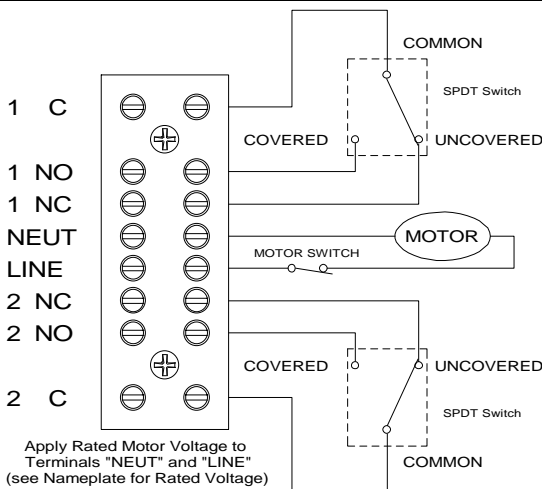
#### Full Couplings

For use with all Model GR series and GR II Rotary level controls. This model is used for top of bin installations where shaft extensions and shaft guards are required.



#### Half Coupling

For use with all Models GR series and GR II Rotary level controls. This model is used primarily for the side of bin installations.



#### Basic Wiring Diagram for all Model GR Plus series

Power to operate the GR Plus is connected to the NEUT and the LINE terminals. Apply the rated voltage as indicated on the nameplate for Motor Circuit. On units with DC motors, connect the negative to the NEUT terminal and the positive to the LINE terminal. Two SPDT indicator switches rated at 15 Amps @ 250 VAC are provided for Covered and Uncovered indication. The C terminals are the Commons and connect to the NC terminals for an Uncovered condition and connect to the NO terminals for a Covered condition.

