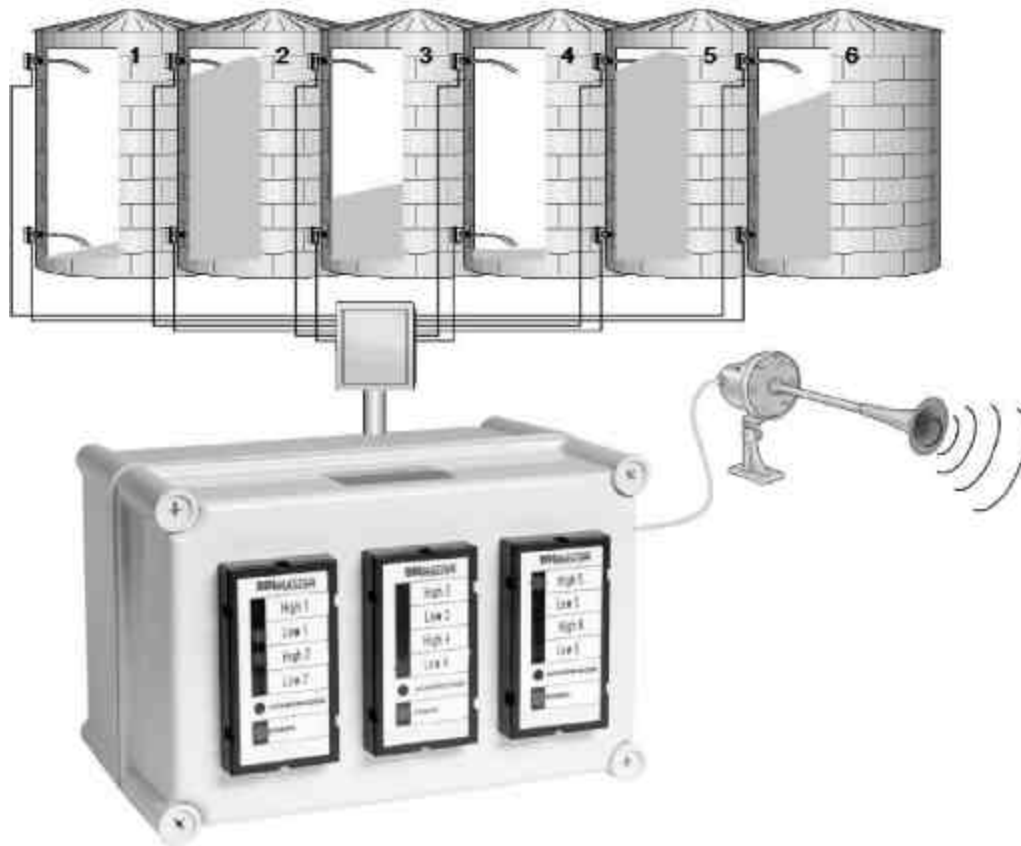




BINMASTER MODULAR LIGHT PANELS



Distribué par :

1

The BinMaster Modular Light Panels

The BinMaster Modular Light Panels are made up of one or more modules, each capable of monitoring up to 4 inputs. Each input circuit contains a pull-up resistor, so it is not necessary to provide external excitation to the switch. The light panels are configured for 4, 8, 12, 16, 20, and 24 inputs using multiple modules. These modules also have 2 SPDT relay contacts that can be used to signal an alarm for each 4 point module or can be interconnected for one common alarm. Alarm conditions are indicated three ways: relay, built-in horn, and Red LEDs.

The Inputs to Terminals 1 through 4 on each module have been Factory set to indicate an Alarm Condition with a closed contact between the COM and an input channel.

There is a front panel Acknowledge push switch on each module to silence the built-in horn. The Acknowledge switches can be wired together so that any Acknowledge switch will silence any and all of the modules' built-in horns. An external Acknowledge switch can also be wired in to silence an alarm. Each module's built in horn operates independently and monitors only that module's inputs.

SPECIFICATIONS

Power:	85 to 265 VAC or 90 to 265 VDC, 3VA max per module
Enclosure:	Type 4X
Operating temperature range	-40 to 149 degrees F
Relay Contacts:	2 - SPDT; 3 Amps @ 240VAC

The relays are energized in an alarm state. The NO and C relay contacts for one set of SPDT contacts on each module are wired in parallel to each module, from the factory, so that an alarm on any of the modules will result in an external alarm indication. The other set of SPDT contacts on each module are not used.

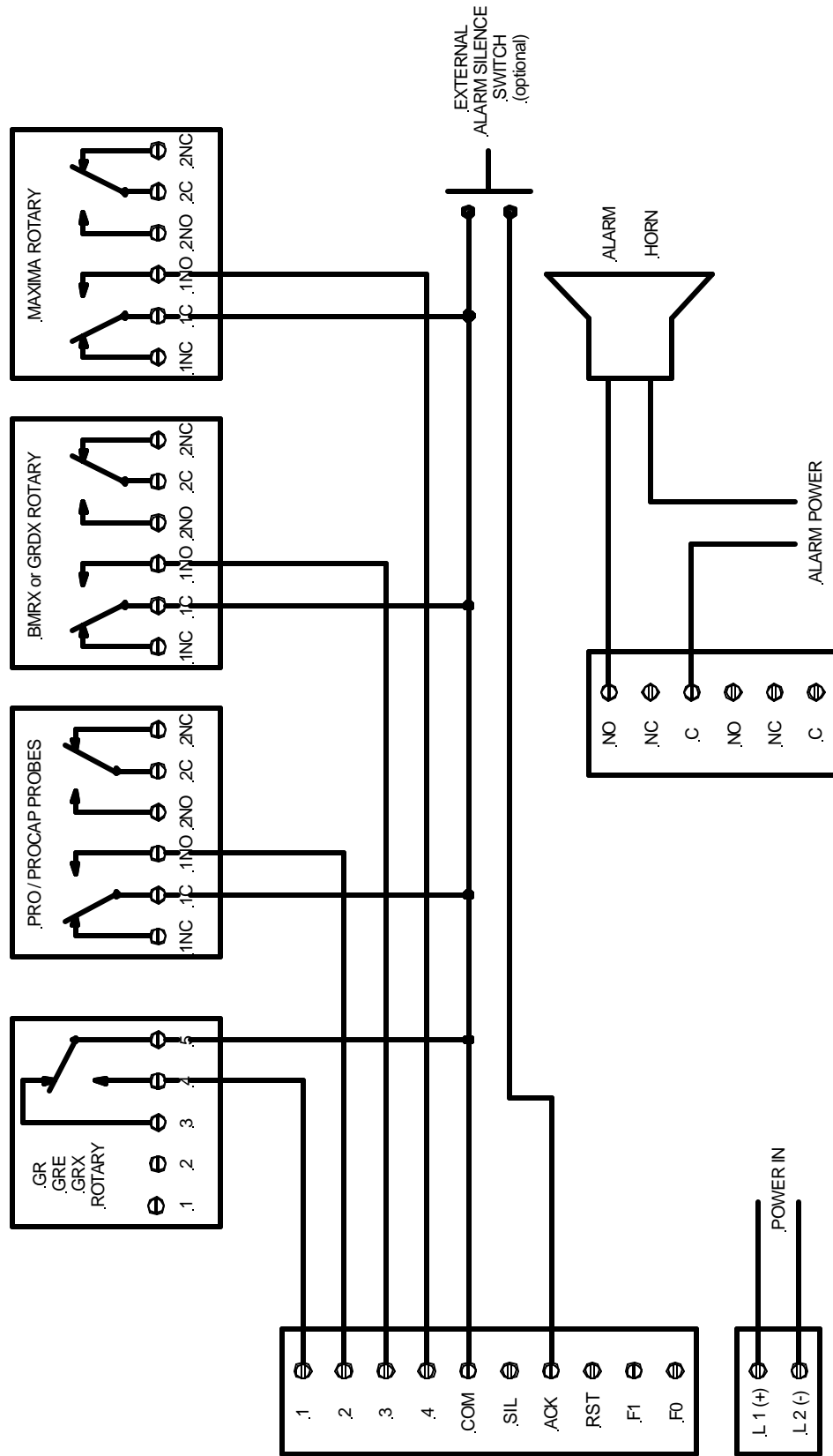
WIRING DIAGRAMS

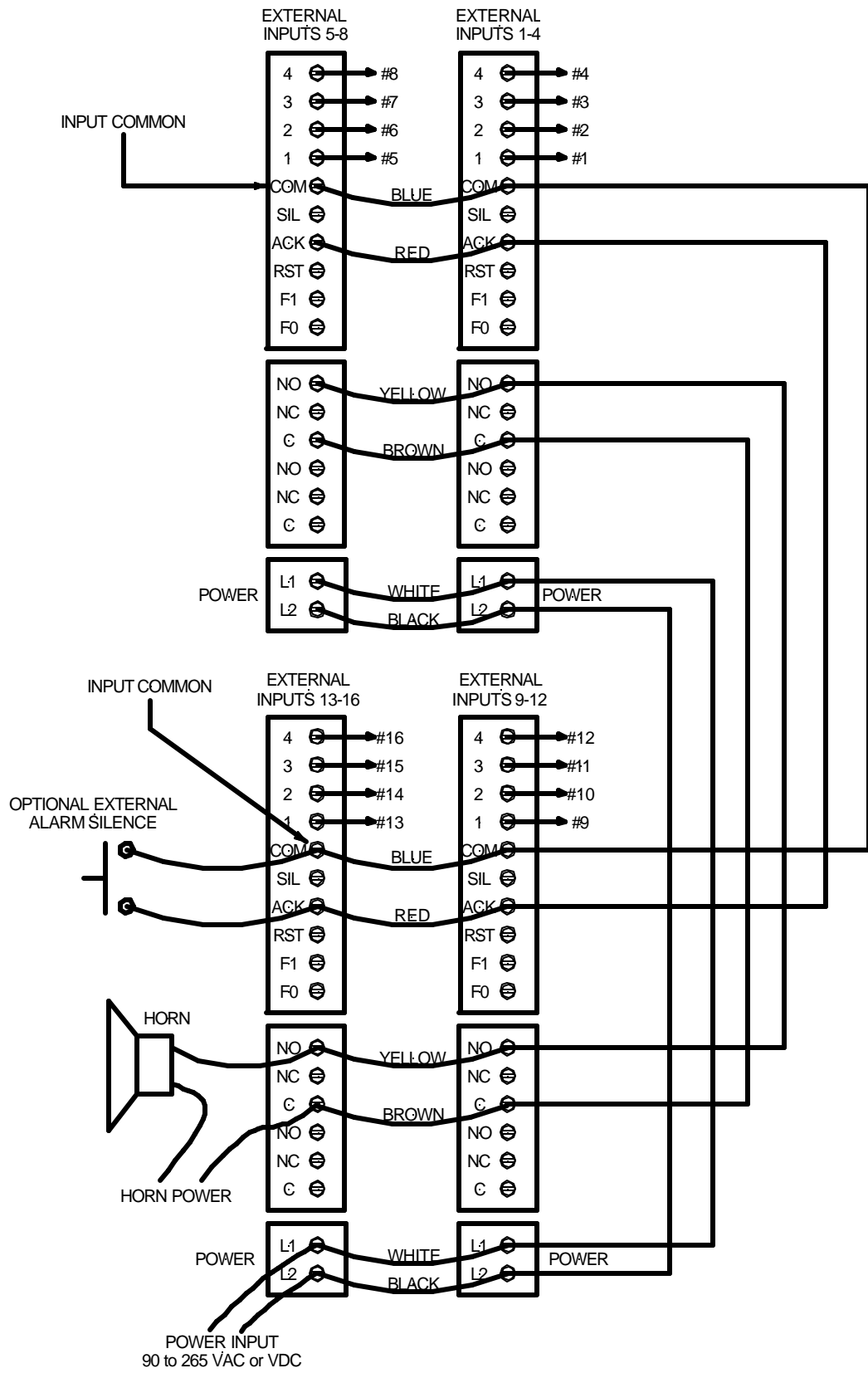
A wiring diagram is provided on page 3 to show typical connections to BinMaster level controls. This example is shown for all of the level switches to indicate a covered alarm. A wiring diagram is provided on page 4 to show interconnecting the modules for a common horn. Power connections are made to a two-terminal connector labeled POWER. The modules will operate regardless of DC polarity. The + and - symbols are only a suggested wiring convention.

CONNECTING POINT LEVEL SWITCHES TO MODULAR LIGHT PANEL

All of the Level switches are wired for a Covered Alarm

.PRO, .PROCAP, .BMRX, .GRDX, .GRDX, & .MAXIMA Relay contacts are shown configured as Fail Safe LOW





INTERCONNECTING UNITS FOR COMMON HORN

Distribué par :

(Wire in like manner for additional units.)



2 rue René Laennec 51500 Taissy France
 Fax: 03 26 85 19 08, Tel : 03 26 82 49 29

Email : hvssystem@hvssystem.com
 Site web : www.hvssystem.com