

Technical Data Sheet

Non-Contact, Multiple-Point Measurement

The 3DLevelScanner is a non-contact, dust-penetrating bin measurement device that detects irregular surfaces in powder or solid materials and then calculates highly accurate bin volume estimates.



3DLevelScanner™ Level Sensor



BINMASTER®

www.binmaster.com

Overview

Accurate Volume Measurement

The BinMaster 3DLevelScanner uses non-contact, dust-penetrating technology to provide unsurpassed bin volume accuracy. Unlike conventional single point devices, it works by measuring multiple points within the bin. The 3DLevelScanner uses a very low frequency acoustical signal to penetrate dust and take measurements which are determined by how long the signal takes to “travel to” solid or powder material and “return to” the device. This technology is proven to perform in powders and bulk solids, determining a highly accurate volume of materials contained in tanks, silos, and warehouses.



Key Specifications

Preferred Applications	Powders and Solids
Measuring Range	200 feet (61 meters)
Process Fitting	Thread, Flange, Mounting Strap
Process Temperatures	-40 to +185°F (-40 to +85°C)
Process Pressure	-0.2 – 1 bar (-2.9 to 14.5 psi)
Signal Output	4-wire 4 - 20 mA/HART/RS-485/Modbus
Emitting Frequency	3 KHz to 10 KHz



Display

Easy navigation
LCD with 4-button operation

4-wire
4 - 20 mA/HART/
RS-485/Modus

Same housing
for all versions



Technical Data

Materials, Non-Wetted Parts

Housing	Painted aluminum die casting
Inspection Window in Housing Cover	Polycarbonate
Antenna	Painted aluminum die casting
Flange	Steel

Weight

12.3 lb (5.6 kg)	Thread version
------------------	----------------

Output Variable

Output Signal	4 - 20 mA/HART, RS-485, Modbus RTU, TCP/IP
Resolution	10 μ A
Fault Signal	Current output unchanged, 22 mA > 3.6 mA (adjustable)
Current Limitation	22 mA

Load

4-wire sensor	Max. 500 Ohm
---------------	--------------

Ambient Conditions

Ambient, storage and transport temperature	-40 to +185°F (-40 to 85°C)
Relative humidity	20% to 85%
Altitude	16,400 ft (5,000 m)

Process Conditions

Vessel Pressure	-0.2 to 1 bar (-2.9 to 14.5 psi or -20 to 100 kPa)
-----------------	--

Process Temperature

Measured on the Process Fitting	-40 to +185°F (-40 to +85°C)
Vibration Resistance	Mechanical vibrations with 2 g and 5 to 200 Hz

Electromechanical Data

Cable Entry/Plug	1 x cable entry M20x1.5 (cable- \varnothing 8 to 12mm)
	1 x blind stopper M20x1.5
	OR
	2 x cable entry 1/2 NPT

Display Panel

LCD	4 lines x 20 characters
Adjustment Elements	4 keys
Protection	IP67

Technical Data

Power supply - 4-wire instrument (Active) 4 - 20 mA / HART

Supply Voltage	20 to 32 VDC
Power Consumption	Max 4VA; max 3 W

Electrical Protective Measures

Protection	IP67 according to IEC 60529
------------	-----------------------------

Approvals

ATEX	ATEX II 1/2D, 2D, Ex ibD/iaD 20/21 T110°C ATEX II 2G Ex ia/ib IIB T4
FM	FM Intrinsically Safe Class I, II, Division I, Groups C, D, E, F, G (CFM pending)
IECEX	IEC EEx ia IIC T6 (pending)

CE

EMC	
Emission	EN 61326:1997 (Class B)
Susceptibility	IEC / EN 61326:1997 + A1:1998 + A2:2001 + A3:2003
NSR (73/23/EWG)	EN 61010-1:2001

FCC

Conformity	To part 15 of the FCC regulations FCC 47 CFR part 15:2007, subpart B, class A
------------	--

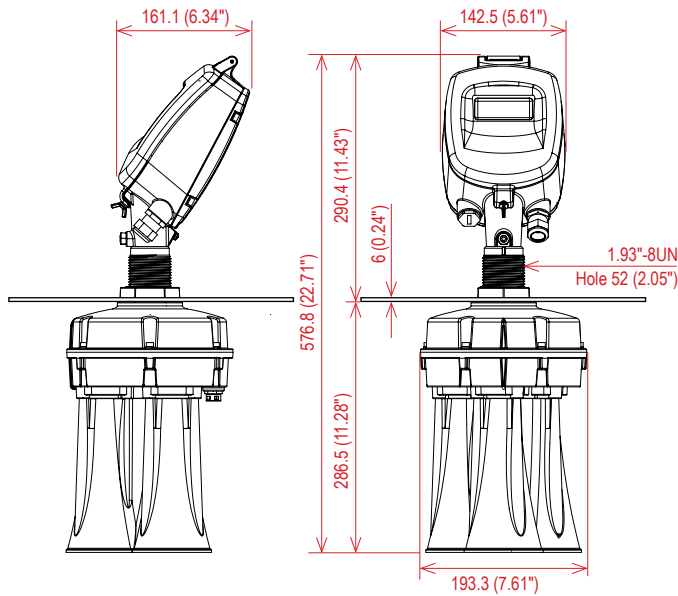
Measurement Characteristics

Frequency	3 to 10 kHz
Beam angle	30 to 70 degrees

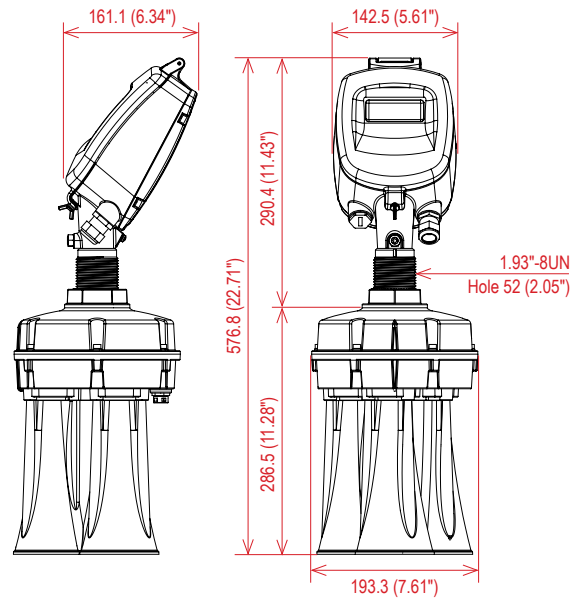


Dimensions

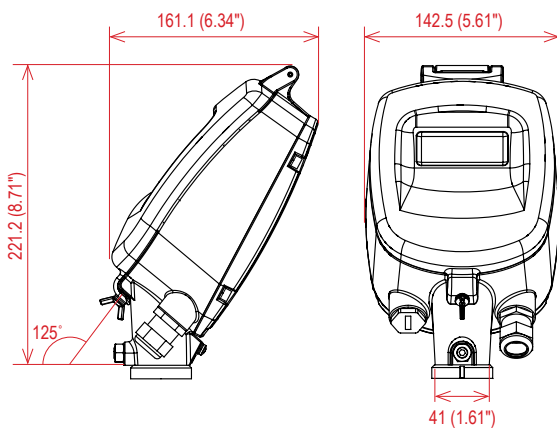
3DLevelScanner II with horn antenna in flange version



3DLevelScanner II with horn antenna in threaded version



3DLevelScanner II Housing



Dimensions in mm (inches)



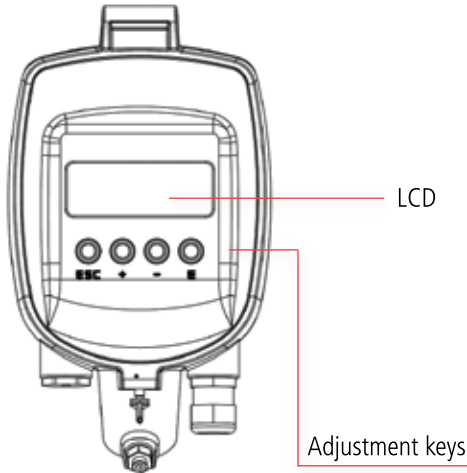
Operation



The 3DLevelScanner can be set up and operated using one of the following:

- The LCD panel
- HART handheld
- A software tool (3DLevel Manager)

Adjustment Using the LCD Panel



Esc	Navigate to the left within a function group; press ESC for 3 sec to go back to the basic screen
+	Navigate upwards in the selection list; edit numeric value within a function
-	Navigate downwards in the selection list; shifts to the right within a function
E	Navigate to the right within a function group; confirmation
+ and E	Increase contrast settings of the LCD
- and E	Decrease contrast settings of the LCD

+ and - and E	Hardware lock/unlock
	After a hardware lock, operation of the instrument via display or remote communication is not possible.
	The hardware can only be unlocked via the display, and an unlock parameter must be entered to do so.
	The display continues – uninterrupted.
	When all three buttons are pressed the display writes: "Hardware locked".
	When all three buttons are pressed again the display asks for "unlock parameter".

Adjustment using the 3DLevel Manager Software Tool

The 3DLevelScanner can be configured and operated via a software tool (3DLevel Manager). Connect the 3DLevelScanner according to the following diagram.

